



USA BlueBook Heavy-Duty Mixers

- Robust C-clamps ensure precise shaft positioning
- Rugged construction offers extended life
- Coated with USDA-approved stainless steel paint for corrosion resistance and durability

Use these mixers with open-top tanks and 55-gallon drums. Ball-and-socket type C-clamps provide precise positioning, and shaft support bearings reduce wear on the motor. Shaft and propeller feature rugged 316 SS construction.

Direct-drive mixers are for dissolving powders. **Gear-drive mixers** are for mixing polymers and other viscous chemicals; low speeds are recommended for shear-sensitive fluids.

Electric-powered mixers feature TEFC motors. Mixers up to 1 hp have an on/off switch and plug-in cord. Mixers above 1 hp must be hard-wired to a motor starter. **Air-powered mixers** are inherently explosion-proof. They're rated at 60 psi; 3000 rpm at 30 cfm.

Single-propeller mixers are for liquid depths about equal to the drum/tank diameter. **Dual-propeller mixers** are for liquid depths greater or equal to 1.5x the drum/tank diameter.

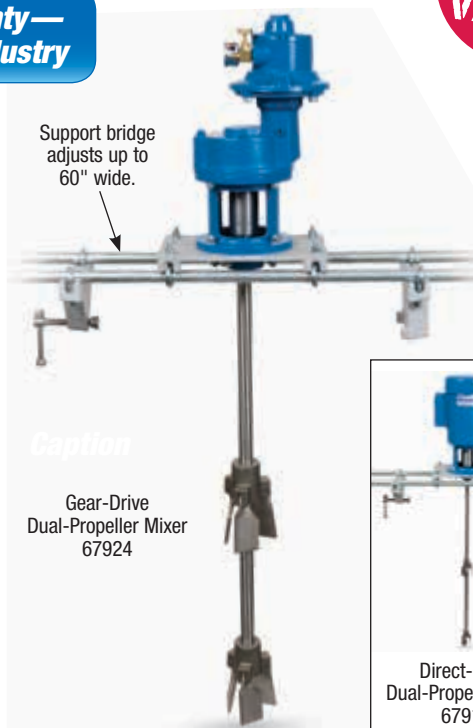
Additional options are available, including alternate shaft lengths and motors.

Shipping: Additional shipping fees may apply.

**5-year warranty—
best in the industry**



Variable-Speed Controller



Support bridge adjusts up to 60" wide.

Gear-Drive Dual-Propeller Mixer 67924



Direct-Drive Dual-Propeller Mixer 67918

Direct-Drive Mixers

HP	MOTOR	OUTPUT (RPM)	SHAFT (DIA x L)	SINGLE PROPELLER		DUAL PROPELLER	
				STOCK #	EACH	STOCK #	EACH
MIXERS WITH FIXED-SPEED MOTORS							
1/3	115/230V, 1 PH	1725	5/8" x 36"	74948	\$ 1,099.95	74952	\$ 1,179.95
1/2	115/230V, 1 PH	1725	5/8" x 36"	74949	1,119.95	74953	1,249.95
3/4	115/230V, 1 PH	1725	5/8" x 36"	74950	1,269.95	74954	1,379.95
1	115/230V, 1 PH	1725	5/8" x 36"	74951	1,379.95	74955	1,499.95

MIXERS WITH VARIABLE-SPEED MOTORS

1/3	115/230V, 1 PH	0 to 1725	5/8" x 36"	74956	\$ 1,669.95	74960	\$ 1,779.95
1/2	115/230V, 1 PH	0 to 1725	5/8" x 36"	74957	1,759.95	74961	1,889.95
3/4	115/230V, 1 PH	0 to 1725	5/8" x 36"	74958	2,049.95	74962	2,169.95
1	115/230V, 1 PH	0 to 1725	5/8" x 36"	74959	2,279.95	74963	2,369.95
1/3	Air Powered	0 to 3000	5/8" x 36"	61302	1,179.95	61306	1,279.95
1/2	Air Powered	0 to 3000	5/8" x 36"	61303	1,199.95	61307	1,349.95
3/4	Air Powered	0 to 3000	5/8" x 36"	61304	1,369.95	61308	1,489.95
1	Air Powered	0 to 3000	5/8" x 36"	61305	1,489.95	61309	1,609.95

Gear-Drive Mixers

HP	MOTOR	OUTPUT (RPM)	SHAFT (DIA x L)	SINGLE PROPELLER		DUAL PROPELLER	
				STOCK #	EACH	STOCK #	EACH
MIXERS WITH FIXED-SPEED MOTORS							
1/3	115/230V, 1 PH	425	3/4" x 48"	74928	\$ 1,949.95	74933	\$ 2,139.95
1/2	115/230V, 1 PH	425	1" x 48"	74929	2,289.95	74934	2,539.95
3/4	115/230V, 1 PH	425	1" x 60"	74930	2,549.95	74935	2,859.95
1	115/230V, 1 PH	425	1" x 60"	74931	2,859.95	74936	3,149.95
1 1/2	230/460V, 3 PH	425	1 1/4" x 60"	74932	3,179.95	74937	3,329.95

MIXERS WITH VARIABLE-SPEED MOTORS

1/3	115/230V, 1 PH	0 to 425	3/4" x 48"	74938	\$ 2,529.95	74943	\$ 2,739.95
1/2	115/230V, 1 PH	0 to 425	1" x 48"	74939	2,979.95	74944	3,229.95
3/4	115/230V, 1 PH	0 to 425	1" x 60"	74940	3,339.95	74945	3,639.95
1	115/230V, 1 PH	0 to 425	1" x 60"	74941	3,739.95	74946	4,039.95
1 1/2	230/460V, 3 PH	0 to 425	1 1/4" x 60"	74942	4,159.95	74947	4,299.95
1/3	Air Powered	0 to 3000	3/4" x 36"	36782	2,029.95	36786	2,239.95
1/2	Air Powered	0 to 3000	1" x 36"	36783	2,349.95	36787	2,609.95
3/4	Air Powered	0 to 3000	1" x 36"	36784	2,499.95	36788	2,819.95
1	Air Powered	0 to 3000	1" x 36"	36785	2,819.95	36789	3,139.95

USA BlueBook Tote Mixers

- Collapsible propellers fits through tight openings
- Included mounting bridge adjusts up to 60" wide

These mixers combine convenient design with powerful mixing capabilities. They feature two C-clamps, and a mounting bridge that expands up to 60" for a secure fit. Adjust your drive across the bridge for proper positioning.

Collapsible propellers fit through closed-top chemical totes or intermediate bulk containers (IBCs). Propellers, shaft and coupling feature rugged 316 SS construction.

Direct-drive mixers are for dissolving powders. **Gear-drive mixers** are for mixing polymers and other viscous materials.

Electric-powered mixers come equipped with an on/off switch and a cord. **Air-powered mixers** are inherently explosion-proof. They're rated at 60 psi; 3000 rpm at 30 cfm.

Single-propeller mixers are for use with liquid depths about equal to the tote diameter. **Dual-propeller mixers** are for use with liquid depths greater or equal to 1.5 times the tote diameter.

Shipping: Additional shipping fees may apply.

HP	MOTOR	OUTPUT (RPM)	SHAFT (DIA x L)	SINGLE PROPELLER		DUAL PROPELLER	
				STOCK #	EACH	STOCK #	EACH
DIRECT-DRIVE MIXERS							
1/2	115/230V, 1 PH	1725	5/8" x 36"	67913	\$ 1,509.95	67914	\$ 1,639.95
3/4	115/230V, 1 PH	1725	5/8" x 36"	67915	1,649.95	67916	1,779.95
1	115/230V, 1 PH	1725	5/8" x 36"	67917	1,779.95	67918	1,889.95
1/2	Air Powered	0 to 3000	5/8" x 36"	67925	1,509.95	67926	1,639.95
3/4	Air Powered	0 to 3000	5/8" x 36"	67927	1,649.95	67928	1,779.95
1	Air Powered	0 to 3000	5/8" x 36"	67929	1,779.95	67930	1,889.95

GEAR-DRIVE MIXERS

1/2	115/230V, 1 PH	425	1" x 36"	67907	\$ 2,599.95	67908	\$ 2,839.95
3/4	115/230V, 1 PH	425	1" x 36"	67909	2,759.95	67910	3,049.95
1	115/230V, 1 PH	425	1 1/4" x 36"	67911	3,049.95	67912	3,359.95
1/2	Air Powered	0 to 425	1" x 36"	67919	2,599.95	67920	2,849.95
3/4	Air Powered	0 to 425	1" x 36"	67921	2,739.95	67922	3,049.95
1	Air Powered	0 to 425	1 1/4" x 36"	67923	3,049.95	67924	3,359.95