

PROCESS ANALYZERS pH/ORP

Endress+Hauser CPM 223 & 253 pH/ORP Transmitters and Controllers

Endress+Hauser 
People for Process Automation

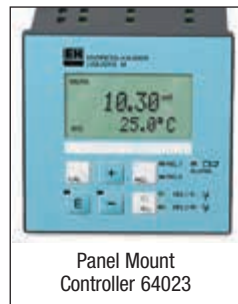
- PID control minimizes overshoot providing precise control
- Lowers overall chemical costs

Endress+Hauser CPM 223 and 253 pH transmitters and controllers continuously measure pH levels in your pretreatment tank, primary clarifier and effluent. The pH and alkalinity of incoming wastewater are important parameters in the biological treatment of wastes. The pH of your influent and effluent channels should be monitored continuously.

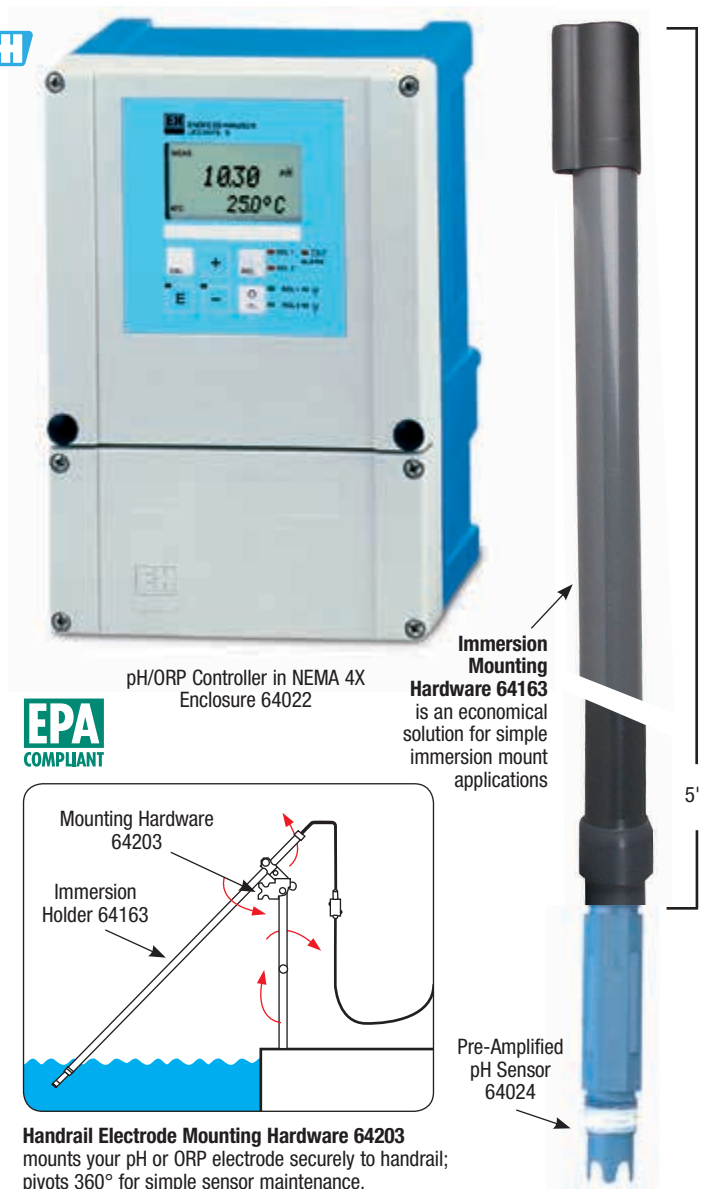
PID controllers minimize overshoot to provide the tightest possible control. The PID controller looks at how fast your pH set point is being approached, how far it overshoots the set point and finally how much time it takes to fall below the set point. Each time the cycle repeats (a pH set point is approached), the PID controller adjusts to minimize overshoot. It will continue to adjust every cycle it operates. Metering or dosing pumps run less, saving time and money on chemicals and maintenance.

The CPM 223 pH controller comes in a 1/4 DIN housing for mounting in an existing control panel. The CPM 253 transmitter and controller are housed in a NEMA 4X enclosure for wall-, surface- or pole-mounting (with the post-mounting kit listed below). Models are available with optional HART®, PROFIBUS® PA or PROFIBUS DP output communications. Contact USABlueBook for more information.

The CPM 223 and 253 provide temperature compensated pH measurements using the CPF electrode with built-in 3-wire 100Ω RTD. The preamplified pH electrode with built-in temperature sensor comes in fixed cable lengths of 15, 30 and 45 feet. pH electrodes with a built-in preamplifier can have cable lengths as long as 2000 feet without loss of mV signal. All sensors are 3/4" NPT(M) and have threads on both ends for insertion or submersion applications.



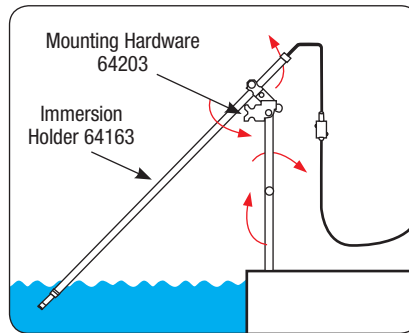
Panel Mount Controller 64023



pH/ORP Controller in NEMA 4X Enclosure 64022

Immersion Mounting Hardware 64163 is an economical solution for simple immersion mount applications

EPA COMPLIANT



Handrail Electrode Mounting Hardware 64203 mounts your pH or ORP electrode securely to handrail; pivots 360° for simple sensor maintenance.

Pre-Amplified pH Sensor 64024



Endress+Hauser ECOFIT™ pH Electrode Systems

Reuse the ECOFIT electrode housing and cable repeatedly to reduce sensor maintenance costs. The only component requiring routine replacement is the pH electrode. ECOFIT housing includes 15'L cable and is constructed of PVDF (Kynar®) with Viton® O-ring and 3/4" NPT(M) threaded ends.

Order housing with cable and electrode for a complete system.

MFR #	DESCRIPTION	STOCK #	EACH
CPA640-C112	ECOFIT Housing, PVDF, 3/4" NPT(M), 15'L Cable	64091	\$
CPS11-2AA2ESA	ECOFIT pH Electrode, Unamplified, Pt 100 ATC	64095	
CPK9-NAA1A	Replacement Cable, 15'L	64034	
CPK9-NBA1A	Replacement Cable, 30'L	64073	

Range:	-2.00 to 16.00 pH
Accuracy:	±0.5% of reading
Resolution:	0.01 pH
Display:	backlit LCD
Control type:	PID adjustable pulse length, frequency
Analog output:	0-20 or 4-20 mA
ATC element:	100Ω Pt RTD
Relays	
Transmitter model:	1 error alarm
PID models:	1 error alarm, 2 contacts for PID rated for 2A @ 250 VAC, pulsed output
Power:	115 VAC, 50/60 Hz
Enclosure:	253 model NEMA 4X, 223 model panel mount
Approvals:	CE

MFR #	DESCRIPTION	STOCK #	EACH
CPM 253-PR1005	pH/ORP Transmitter (NEMA 4X Enclosure)	64097	\$
CPM 223-PR1010	pH/ORP PID Controller (Panel Mount)	64023	
CPM 253-PR1010	pH/ORP PID Controller (NEMA 4X Enclosure)	64022	

ELECTRODES & ACCESSORIES

CPF 81-NN11D2	Pre-Amplified pH Electrode, 15'L Cable	64024	\$
CPF 81-NN11D3	Pre-Amplified pH Electrode, 30'L Cable	64025	
CPF 81-NN11D4	Pre-Amplified pH Electrode, 45'L Cable	64026	
CPF 82-PA11B2	Pre-Amplified ORP Electrode, 15'L Cable	64027	
CPF 82-PA11B4	Pre-Amplified ORP Electrode, 45'L Cable	64028	
50088282	CPF 81/82 Extension Cable, 60'L Cable	64045	
CPF 81-NN22C2	Flat pH Electrode w/ Soln. Ground, 15'L Cable	64101	
CPF81-LH11C2	Nonamplified pH Electrode, 15'L Cable	64070	
CYA112-AA11C1AB	Immersion Holder, 5'L PVC Pipe, 3/4" NPT	64163	
CYH112AA11A11E1KC	Rail-Mount Pendulum Hardware with Support	64203	
50086842	Post-Mounting Kit for NEMA 4X Analyzers	64014	
50003987	VBM Junction Box, NEMA 4X	41359	
CYY-101A	Weather Cover	64148	