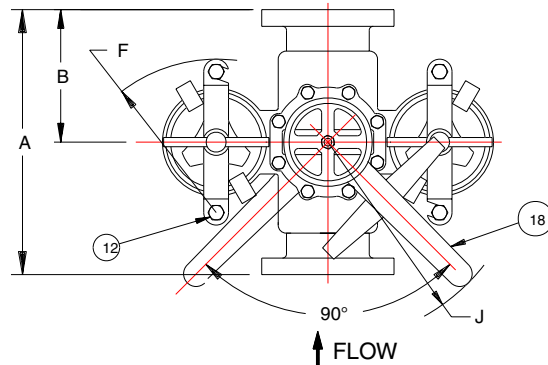


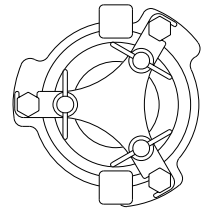
PIPE SIZE (NOMINAL)	DIMENSIONS												HAYWARD PART NO.
	A IN. MM.	B IN. MM.	C IN. MM.	D IN. MM.	E IN. MM.	F IN. MM.	G IN. MM.	H (NOM.) IN. MM.	J IN. MM.	K IN. MM.	L IN. MM.	WEIGHT LBS. KGS.	
5" (125mm)	18.38 / 467	9.00 / 229	9.75 / 248	33.25 / 845	14.75 / 375	10.25 / 260	17.19 / 437	3/8 / 10	19.75 / 502	0.56 / 14	41.00 / 1041	403 / 183	ST0500500F41C
6" (150mm)	22.00 / 559	12.88 / 327	12.50 / 318	36.25 / 921	19.50 / 495	11.75 / 298	20.75 / 527	3/8 / 10	19.75 / 502	0.63 / 16	42.00 / 1067	500 / 227	ST0500600F41C
8" (200mm)	25.00 / 635	14.00 / 356	17.00 / 432	50.63 / 1286	23.06 / 586	-- / --	30.75 / 781	1/2 / 15	28.00 / 711	0.94 / 24	56.00 / 1422	1500 / 682	ST0500800F41C



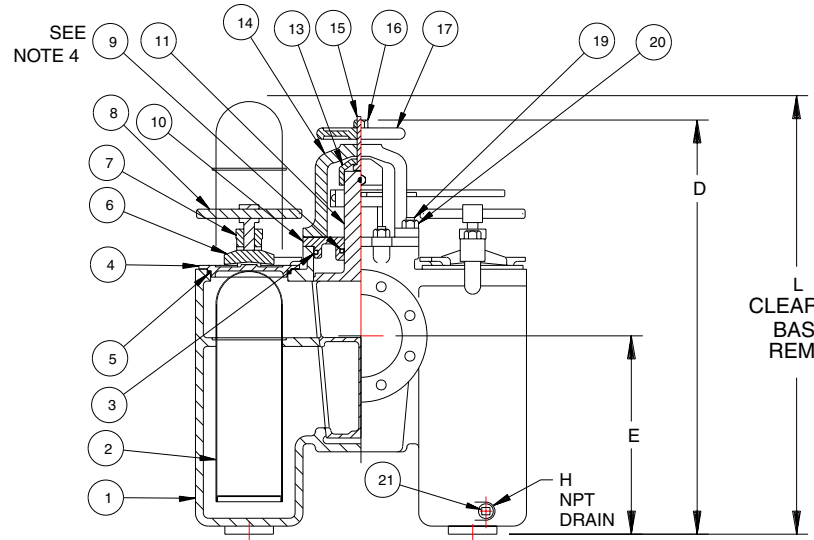
**NOTES:**

1. INLET/OUTLET FLANGE CONNECTIONS PER ANSI B16.1 .
2. SIZES 5" & 6" USES COVER CLAMP (ITEM 6).
3. MAX. WORKING PRESSURE: 5" & 6" SIZES  
200 PSI @ 100F ( 13.8 BAR @ 37.8200 PSI @ 100C )  
MAX. WORKING PRESSURE: 8" SIZE  
150 PSI @ 100F ( 10.3 BAR @ 37.8150 PSI @ 100C )
4. SIZE 5" USE PACKING AND PACKING GLAND IN LIEU OF O-RING.

NO.	PART NAME	MATERIAL
1	BODY	CAST IRON ASTM A126 CL.B
2	BASKET	
	PERF. DIA.	
	MESH	
3	O-RING (SIZE - 6")	BUNA-N
	GASKET (SIZE - 8")	NON-ASBESTOS
4	O-RING	BUNA-N
5	COVER	CAST IRON ASTM A126 CL.B
6	COVER CLAMP	DUCTILE IRON
7	YOKE	DUCTILE IRON
8	YOKE SCREW AND PIN ASSY	CARBON STEEL
9	O-RING	BUNA-N (SEE NOTE 4)
10	BONNET	CAST IRON ASTM A126 CL.B
11	DIVERTER PLUG	BRONZE ASTM B62
12	YOKE STUD	STEEL
13	JACK COLLAR	DUCTILE IRON
14	JACK BONNET	DUCTILE IRON
15	JACKSCREW	STEEL
16	JACKSCREW NUT	CARBON STEEL
17	HANDWHEEL	DUCTILE IRON
18	TURNING HANDLE	DUCTILE IRON
19	BONNET STUD	ALLOY STEEL
20	BONNET STUD NUT	CARBON STEEL
21	DRAIN PLUG	CARBON STEEL

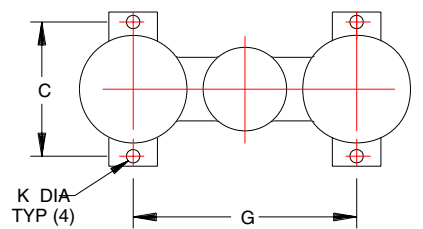


**8" COVER & YOKE  
DETAIL**



L  
CLEARANCE FOR  
BASKET  
REMOVAL

**CERTIFIED FOR:**  
P.O. NO.:  
REG. NO.:  
QUOTE NO.:  
TAG NO.:



ELECTRONIC FILE NAME:SD051091.DWG  
REF. ECR 4305 DATE 8/7/96

UNAUTHORIZED USE, MANUFACTURE OR REPRODUCTION IN WHOLE OR IN PART IS PROHIBITED. DRAWING, DESIGN AND OTHER DISCLOSURES PROPERTY OF HAYWARD INDUSTRIAL PRODUCTS, INC.

	HAYWARD INDUSTRIAL PRODUCTS, INC. 900 FAIRMOUNT AVENUE, ELIZABETH, NEW JERSEY 07207		
	NAME MODEL 50 DUPLEX STRAINER 125# FLAT FACE FLANGE SIZES 5" THRU 8" CAST IRON		
DRAWN FC	DATE 2/13/92	CERT. FM	DATE 3/24/92
SIZE A	DWG NO	SD051091	
			REV G