

# 759LF Brass Ball Valve • Spec Sheet



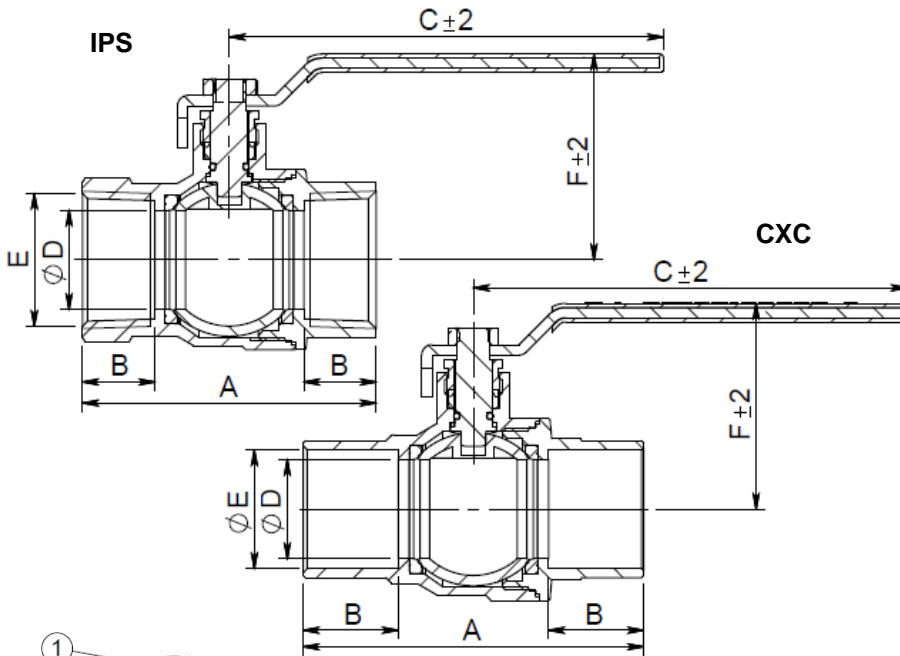
1/4" – 1-1/2"

## FEATURES & BENEFITS

- Lead Free Forged Brass
- Full Port
- Two Piece Body
- Blow-Out Proof Stem
- Chrome Plated Solid Brass Ball
- Thread Ends Comply Per ANSI B2.1
- Conforms to MSS-SP-110
- 1/4" - 4" Rated: 600 PSI Non- Shock CWP - 150 PSI SWP
- CSA Gas Approved to 2" (IPS Only)

## APPLICATIONS

- Commercial & Light Industrial/ Steam, Water, Oil, Gas, Air



## IPS DIMENSIONS

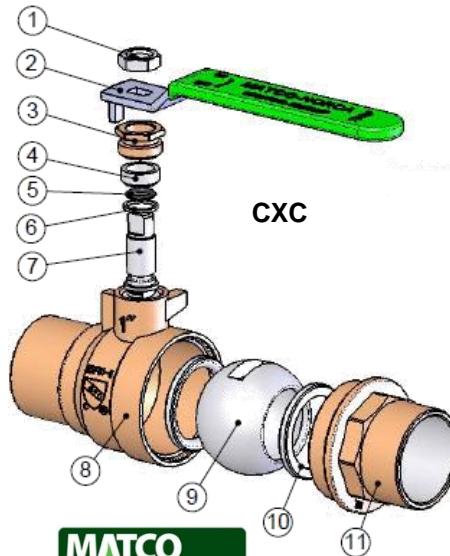
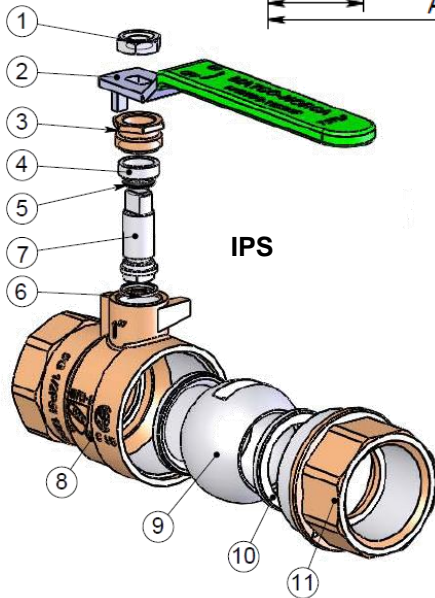
| Size   | A    | B    | C    | D     | E       | F    |
|--------|------|------|------|-------|---------|------|
| 1/4"   | 1.73 | 0.45 | 3.07 | Ø0.39 | 18NPT   | 1.44 |
| 3/8"   | 1.73 | 0.45 | 3.07 | Ø0.39 | 18NPT   | 1.44 |
| 1/2"   | 2.05 | 0.55 | 3.07 | Ø0.51 | 14NPT   | 1.54 |
| 3/4"   | 2.30 | 0.57 | 4.14 | Ø0.71 | 14NPT   | 1.78 |
| 1"     | 2.80 | 0.69 | 4.14 | Ø0.95 | 11.5NPT | 1.96 |
| 1-1/4" | 3.15 | 0.69 | 4.93 | Ø1.20 | 11.5NPT | 2.49 |
| 1-1/2" | 3.51 | 0.71 | 4.93 | Ø1.46 | 11.5NPT | 2.67 |

## CXC DIMENSIONS

| Size   | A    | B    | C    | D     | E     | F    |
|--------|------|------|------|-------|-------|------|
| 1/2"   | 1.97 | 0.49 | 3.07 | Ø0.51 | Ø0.63 | 1.54 |
| 3/4"   | 2.71 | 0.75 | 4.14 | Ø0.71 | Ø0.88 | 1.78 |
| 1"     | 3.25 | 0.91 | 4.14 | Ø0.95 | Ø1.13 | 1.96 |
| 1-1/4" | 3.62 | 0.93 | 4.93 | Ø1.20 | Ø1.38 | 2.49 |
| 1-1/2" | 4.29 | 1.10 | 4.93 | Ø1.46 | Ø1.63 | 2.67 |

## MATERIAL SPECIFICATION

| No. | Part          | Material                                 |
|-----|---------------|--|
| 1   | Hex Nut       | Steel                                    |
| 2   | Handle        | Steel                                    |
| 3   | Packing Nut   | Brass                                    |
| 4   | Packing Gland | PTFE                                     |
| 5   | O-Ring        | EPDM                                     |
| 6   | Washer        | PTFE                                     |
| 7   | Stem          | Brass C36000                             |
| 8   | Body          | Brass C46500                             |
| 9   | Ball          | 1/2"-1":Brass C46500<br>1-1/4"&1-1/2":SS |
| 10  | Seat          | PTFE                                     |
| 11  | Body          | Brass C46500                             |



\* These product complies with 0.25% weighted average lead content on wetted surfaces in accordance with Safe Water Drinking Act (SDWA) / Federal Public Law No. 111-380.

# 759LF Brass Ball Valve • Spec Sheet



\*Product will have LF imprinted on the body for Lead Free

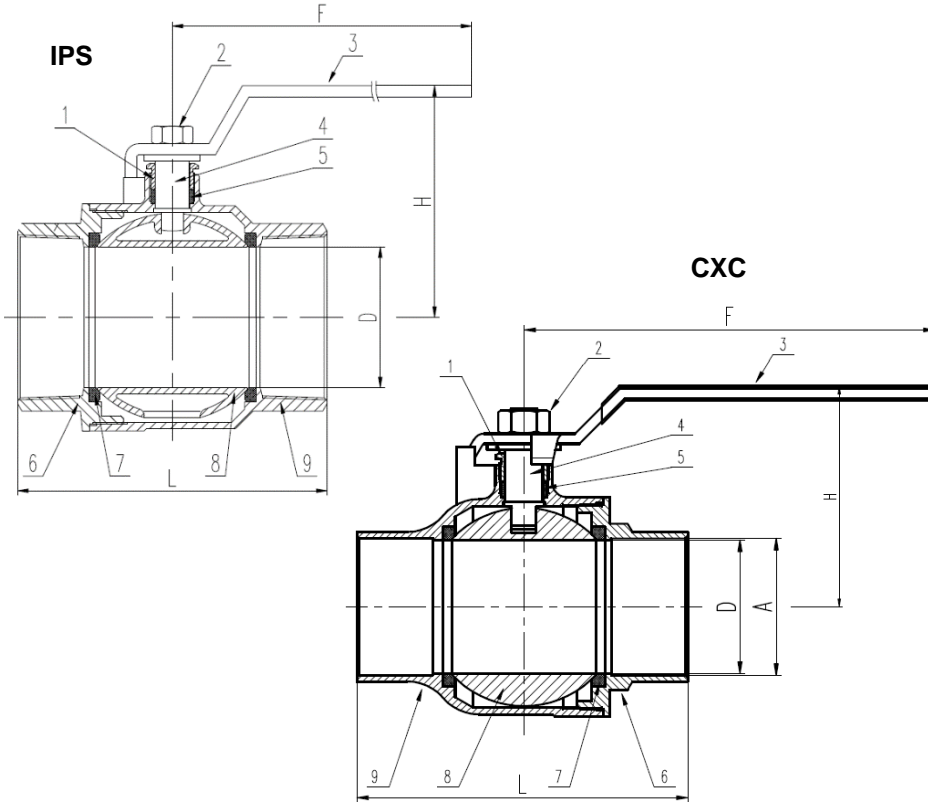
2" – 4"

## FEATURES & BENEFITS

- Lead Free Forged Brass
- Full Port
- Two Piece Body
- Blow-Out Proof Stem
- Chrome Plated Solid Brass Ball
- Thread Ends Comply Per ANSI B2.1
- Conforms to MSS-SP-110
- 1/4" - 4" Rated: 600 PSI Non- Shock CWP - 150 PSI SWP
- CSA Gas Approved to 2" (IPS Only)

## APPLICATIONS

- Commercial & Light Industrial/ Steam, Water, Oil, Gas, Air



## IPS DIMENSIONS

| Size   | L    | D     | H    | F    |
|--------|------|-------|------|------|
| 2"     | 4.41 | Ø1.97 | 3.27 | 5.52 |
| 2-1/2" | 5.99 | Ø2.56 | 4.59 | 9.06 |
| 3"     | 6.50 | Ø2.96 | 4.87 | 9.06 |
| 4"     | 7.76 | Ø3.90 | 5.67 | 10.1 |

## CXC DIMENSIONS

| Size   | L    | D     | A     | H    | F    |
|--------|------|-------|-------|------|------|
| 2"     | 5.34 | Ø1.97 | Ø2.13 | 3.27 | 5.52 |
| 2-1/2" | 6.38 | Ø2.56 | Ø2.63 | 4.24 | 7.92 |
| 3"     | 7.17 | Ø2.96 | Ø3.13 | 5.04 | 9.89 |
| 4"     | 9.22 | Ø3.90 | Ø4.13 | 5.71 | 9.89 |

## MATERIAL SPECIFICATION

| No. | Part         | Material   |
|-----|--------------|------------|
| 1   | Gland Nut    | Brass      |
| 2   | Hex Nut      | Steel      |
| 3   | Handle       | Steel      |
| 4   | Stem         | Brass      |
| 5   | Stem Packing | PTFE       |
| 6   | End Cap      | Brass      |
| 7   | Seat         | PTFE       |
| 8   | Ball         | C.P. Brass |
| 9   | Body         | Brass      |

\* These product complies with 0.25% weighted average lead content on wetted surfaces in accordance with Safe Water Drinking Act (SDWA) / Federal Public Law No. 111-380.



Global sourcing. National compliance. Local service.

**CALIFORNIA** 5593 Fresca Dr., La Palma CA 90623 • Toll Free: 866-532-8306 • Fax: 866-532-8307  
**TEXAS** 1150 Silber Rd., Houston TX 77055 • Toll Free: 800-935-5456 • Fax: 713-680-2999  
**NEW YORK** PO Box 27, Rt. 22, Brewster NY 10509 • Toll Free: 800-431-2082 • Fax: 845-278-9056  
 WEB: [www.matco-norca.com](http://www.matco-norca.com) EMAIL: [mail@matco-norca.com](mailto:mail@matco-norca.com)

# 759LF Brass Ball Valve With Tee Handle • Spec Sheet



## FEATURES & BENEFITS

- Lead Free Forged Brass
- Full Port
- Two Piece Body
- PTFE Seats
- Blow-Out Proof Stem
- Chrome Plated Solid Brass Ball
- Thread Ends Comply Per ANSI B2.1
- Conforms to MSS-SP-110
- 1/2" - 1" Rated: 600 PSI Non- Shock CWP - 150 PSI SWP
- CSA Gas Approved to 2" (IPS Only)

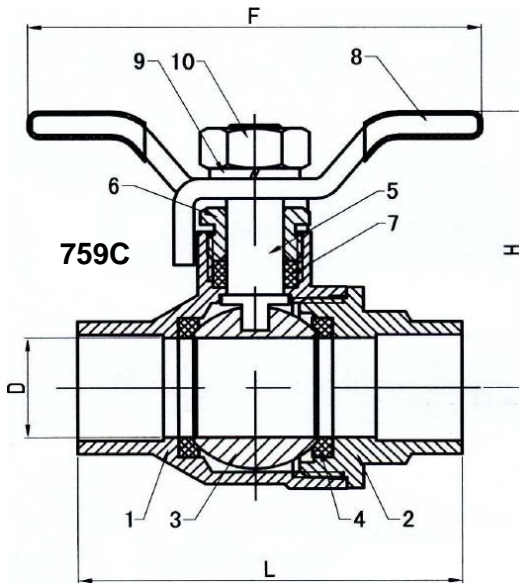
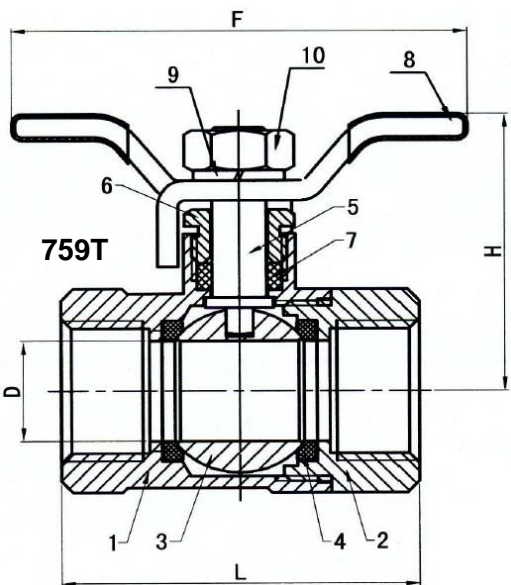
## APPLICATIONS

- Commercial & Light Industrial/ Steam, Water, Oil, Gas, Air

## DIMENSIONS

| Part #    | IPS  | Size | L    | H    | D    | F    |
|-----------|------|------|------|------|------|------|
| 759T01TLF | 1/4" |      | 1.69 | 1.48 | .39  | 2.92 |
| 759T03TLF | 1/2" |      | 2.07 | 1.62 | 0.59 | 2.92 |
| 759T04TLF | 3/4" |      | 2.38 | 1.97 | 0.75 | 3.43 |
| 759T05TLF | 1"   |      | 2.90 | 2.13 | 0.99 | 3.43 |

| Part #    | CxC  | Size | L    | H    | D    | F    |
|-----------|------|------|------|------|------|------|
| 759C03TLF | 1/2" |      | 2.25 | 1.62 | 0.59 | 2.92 |
| 759C04TLF | 3/4" |      | 2.82 | 1.97 | 0.75 | 3.43 |
| 759C05TLF | 1"   |      | 3.31 | 2.13 | 0.99 | 3.43 |



## MATERIAL SPECIFICATION

| No. | Part         | Material |
|-----|--------------|----------|
| 1   | Body         | Brass    |
| 2   | End Cap      | Brass    |
| 3   | Ball         | Brass    |
| 4   | Seat         | PTFE     |
| 5   | Stem         | Brass    |
| 6   | Gland Nut    | Brass    |
| 7   | Stem Packing | PTFE     |
| 8   | Handle       | Steel    |
| 9   | Lock Washer  | Brass    |
| 10  | Hex Nut      | Brass    |



\* These product complies with 0.25% weighted average lead content on wetted surfaces in accordance with Safe Water Drinking Act (SDWA) / Federal Public Law No. 111-380.

Global sourcing. National compliance. Local service.

**CALIFORNIA** 5593 Fresca Dr., La Palma CA 90623 • Toll Free: 866-532-8306 • Fax: 866-532-8307  
**TEXAS** 1150 Silber Rd., Houston TX 77055 • Toll Free: 800-935-5456 • Fax: 713-680-2999  
**NEW YORK** PO Box 27, Rt. 22, Brewster NY 10509 • Toll Free: 800-431-2082 • Fax: 845-278-9056  
 WEB: [www.matco-norca.com](http://www.matco-norca.com) EMAIL: [mail@matco-norca.com](mailto:mail@matco-norca.com)

# 759TSLF Ball Valve With Thumb Grip Handle • Spec Sheet



## FEATURES & BENEFITS

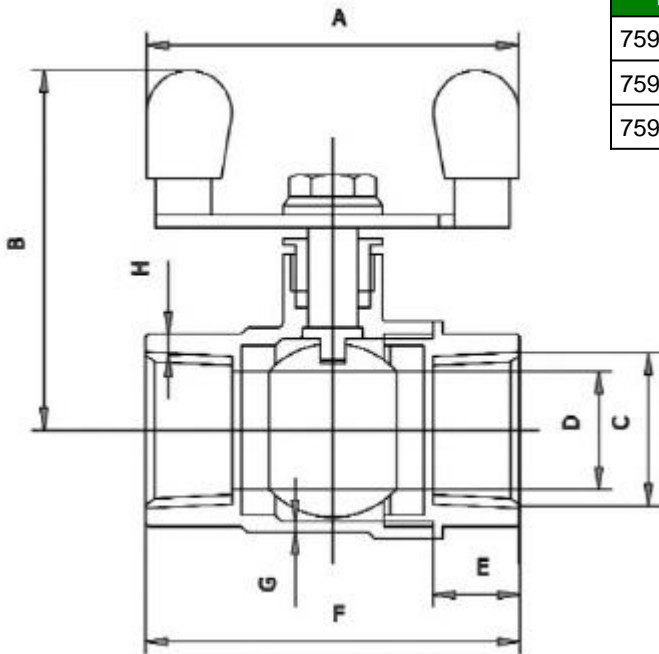
- Full Port
- Forged Brass
- Two Piece Body
- PTFE Seats
- Blow-Out Proof Stem
- Thread Ends Comply Per ANSI B2.1
- Conforms to MSS-SP-110
- 1/2" – 1" Rated: 600 PSI Non- Shock CWP – 150 PSI SWP
- CSA Gas Approved (IPS Only)

## APPLICATIONS

- Commercial & Light Industrial/ Steam, Water, Oil, Gas, Air
- Stainless Steel T Handle Is Excellent For Underground & Close Quarter Applications

## DIMENSIONS

| Part #     | Size | A    | B    | C    | D    | E    | F    | G    | H    |
|------------|------|------|------|------|------|------|------|------|------|
| 759T03TSLF | 1/2" | 2.05 | 1.46 | 0.83 | 0.59 | 0.51 | 2.07 | 0.07 | 0.17 |
| 759T04TSLF | 3/4" | 2.36 | 2.27 | 1.04 | 0.75 | 0.55 | 2.38 | 0.07 | 0.14 |
| 759T05TSLF | 1"   | 2.20 | 2.43 | 1.30 | 0.98 | 0.68 | 2.89 | 0.08 | 0.16 |



## MATERIAL SPECIFICATION

| Part        | Material              |
|-------------|-----------------------|
| Nut         | Stainless Steel GR316 |
| Lock Washer | Stainless Steel GR316 |
| Handle      | Stainless Steel GR316 |
| Packing Nut | Brass                 |
| Packing     | PTFE                  |
| Stem        | Brass B124-C377000    |
| Seat Ring   | PTFE                  |
| Ball        | C.P. Brass            |
| End Cap     | Forged Brass          |
| Body        | Forged Brass          |

\* These product complies with 0.25% weighted average lead content on wetted surfaces in accordance with Safe Water Drinking Act (SDWA) / Federal Public Law No. 111-380.



Global sourcing. National compliance. Local service.

**CALIFORNIA** 5593 Fresca Dr., La Palma CA 90623 • Toll Free: 866-532-8306 • Fax: 866-532-8307  
**TEXAS** 1150 Silber Rd., Houston TX 77055 • Toll Free: 800-935-5456 • Fax: 713-680-2999  
**NEW YORK** PO Box 27, Rt. 22, Brewster NY 10509 • Toll Free: 800-431-2082 • Fax: 845-278-9056  
 WEB: [www.matco-norca.com](http://www.matco-norca.com) EMAIL: [mail@matco-norca.com](mailto:mail@matco-norca.com)