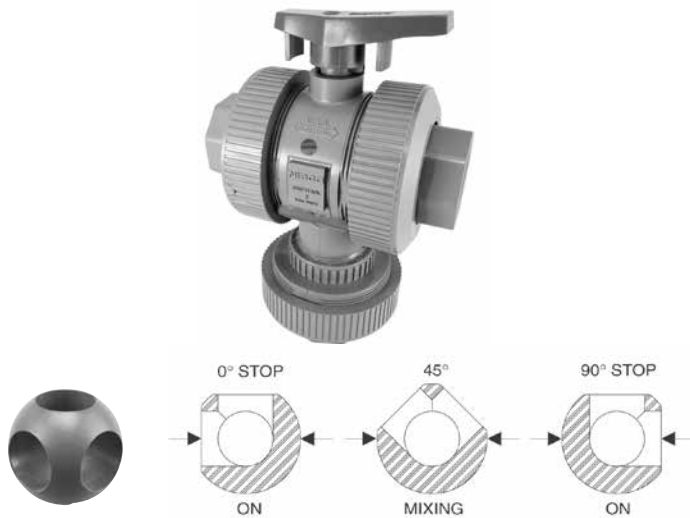
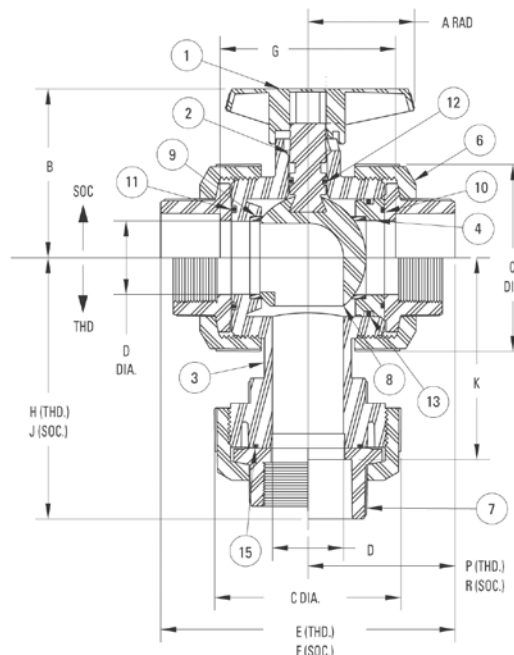


## PVC and CPVC 3-Way, 2-Position (Diverter) True Union Ball Valve, Model A



### Features

- Rated at 150 psi with non-shock water service at 73°F
- For applications where a quarter-turn will achieve diversion of flow, but shut-off control is not required
- Flow may be diverted from the branch center-inlet to one side run-outlet (at the 0° stop position), and then to the opposite side run-outlet (at the 90° stop position)
- Flow may be diverted from either of the side run-inlet ports to the branch center-inlet port
- The internal porting of the diverter makes no provision for shut-off. Therefore, the valve can be used for proportional mixing at all intermediate positions between the 90° stops.
- **ADJ** externally molded onto the body to indicate the seat carrier end of the valve. Adjustment of this union nut can compensate for wear of PTFE seats, with no production loss to remove valve for internal adjustment.
- Valves are manufactured and assembled without exposure to silicone compounds. Silicone-free lubricant is used to assemble all ball valves.
- Full port design produces minimum flow restriction with the lowest possible pressure drop for 90° porting.



### Construction Materials

Components <sup>1</sup>	PVC	CPVC
1. Handle – Lever		
2. Stem	PVC	CPVC
3. Body	PVC	CPVC
4. Seat-Carrier	PVC	CPVC
6. Union Nut	PVC	CPVC
7. End Connector	PVC	CPVC
8. Ball	PVC	CPVC
9. Seat <sup>2</sup> ; (2 ea.)	PTFE	
10. O-Ring <sup>3</sup> – Seat-Carrier; End Seal		
11. O-Ring <sup>3</sup> – Body; End Seal		
12. O-Ring <sup>3</sup> – Stem; OD Seal	FKM or EPDM	
13. O-Ring <sup>3</sup> – Seat-Carrier; OD Seal		
14. O-Ring <sup>3</sup> – Branch Union; End Seal	FKM or EPDM	

1 All components except valve bodies are available as replacement parts.  
 2 Each replacement PTFE seat kit contains two seats.  
 3 Each replacement O-ring kit contains all the O-rings required to refurbish a particular size True Union Ball or Check Valve (regardless of model or style), or a minimum of two pipe unions.  
 4 The two-piece seat-carrier assembly for Model B Tru-Bloc Valves was replaced by a one-piece carrier in Model C Tru-Bloc® Valves.

### Chemtrol Figure Numbers

Valve Style	Elastomeric Trim	PVC Soc.	Thd.	CPVC Soc.	Thd.
1/2" – 2" Diverter (3-Way/2-Position)	FKM	S45D2-V	T45D2-V	S51D2-V	T51D2-V
	EPDM	S45D2-E	T45D2-E	S51D2-E	T51D2-E

### Dimensions–Weights–Flow Coefficients

Valve Size	Soc. & Thd Figures		Socket Figures				Threaded Figures			Approx. <sup>2</sup> Wt. Lbs.		Approx. <sup>2</sup> Wt. Lbs.		Fluid Flow Coefficient C <sub>v</sub> <sup>3</sup>	
	A <sup>1</sup>	B	C	D	F	G	J	K	R	E	H	P			
1/2	2.07	1.94	2.00	0.50	4.19	2.41	3.56	2.69	2.13	0.64	4.00	3.50	2.06	0.60	8
3/4	2.74	2.50	2.44	0.75	5.00	2.97	4.19	3.19	2.50	1.15	4.63	4.00	2.31	1.05	19
1	2.74	2.69	2.86	1.00	5.50	3.22	4.63	3.50	2.75	1.59	5.18	4.44	2.63	1.50	36
1 1/4	2.62	3.74	4.08	1.25	6.47	3.94	5.88	4.63	3.25	3.43	6.10	5.63	3.06	3.24	55
1 1/2	2.62	3.74	4.08	1.25	6.76	3.98	6.00	4.63	3.38	3.62	6.15	5.63	3.06	3.37	55
2	3.12	4.25	5.25	2.00	8.01	4.98	7.08	5.63	3.96	7.02	7.35	6.81	3.62	6.25	149

1 Handle is not symmetrical about stem centerline. Dimension shown represents the longest operational radius.  
 2 Weights shown for socket figures are CPVC models. Weights for threaded figures are PVC models.

3 C<sub>v</sub> values were computed using equivalent cylinder length for 90° turn with full bore.

\* 1 1/2" valve has conventional port on center outlet.