

# 757TLF Ball Valve • Spec Sheet

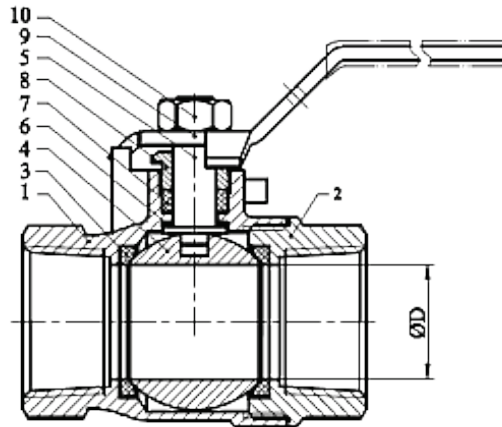
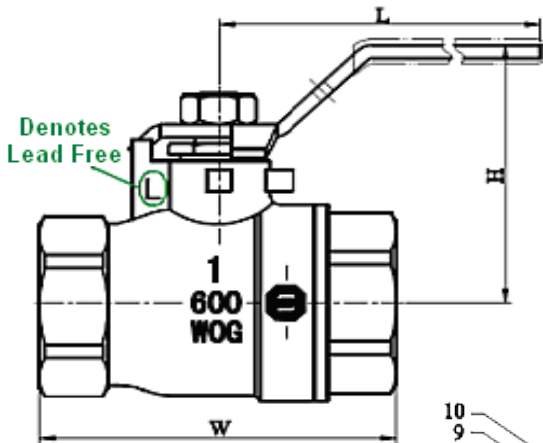


## FEATURES & BENEFITS

- Lead Free Forged Brass\*
- 600 WOG - 150 SWP
- Full Port
- Blow Out Proof Stem
- UL/FM Approved 1/4" - 2"
- Threaded Ends Comply with ANSI B2.1
- Conforms to MSS-SP-110 Specifications
- ISO-9002
- Sizes 1/4" - 2"

## DIMENSIONS

Part #	Size	ØD ± 0.15	H	L	W ± 1
757T01LF	1/4"	9.50	34.7	82	46
757T02LF	3/8"	9.50	34.7	82	46
757T03LF	1/2"	12.7	36.7	82	53.7
757T04LF	3/4"	19.0	44.9	100	61.4
757T05LF	1"	25.0	57.6	120	75.1
757T06LF	1-1/4"	30.5	61.8	120	83.4
757T07LF	1-1/2"	38.0	74.8	160	93.1
757T08LF	2"	50.0	86.4	160	107



## MATERIAL SPECIFICATIONS

No.	Part	Material
1	Body	Brass C37700
2	End Cap	Brass C37700
3	Seat	PTFE
4	Ball	Brass C37700
5	Stem	Brass C36000
6	Thrust Washer	PTFE
7	Stem Packing	PTFE
8	Gland	Brass C36000
9	Handle	Carbon Steel
10	Nut	Stainless Steel

\* These product complies with 0.25% weighted average lead content on wetted surfaces in accordance with Safe Water Drinking Act (SDWA) / Federal Public Law No. 111-380.



Global sourcing. National compliance. Local service.

**CALIFORNIA** 5593 Fresca Dr., La Palma CA 90623 • Toll Free: 866-532-8306 • Fax: 866-532-8307  
**TEXAS** 1150 Silber Rd., Houston TX 77055 • Toll Free: 800-935-5456 • Fax: 713-680-2999  
**NEW YORK** PO Box 27, Rt. 22, Brewster NY 10509 • Toll Free: 800-431-2082 • Fax: 845-278-9056  
 WEB: [www.matco-norca.com](http://www.matco-norca.com) EMAIL: [mail@matco-norca.com](mailto:mail@matco-norca.com)

# 757CLF Ball Valve • Spec Sheet

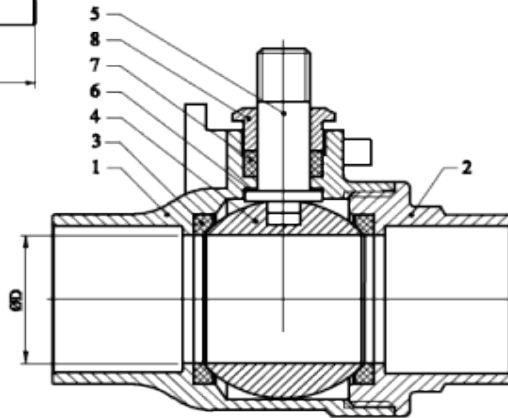
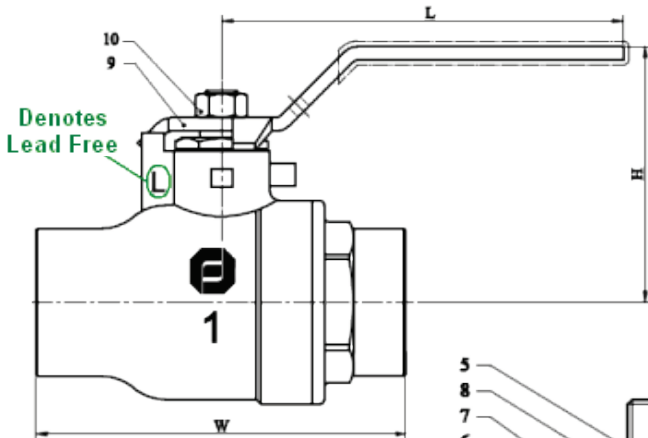


## FEATURES & BENEFITS

- Lead Free Forged Brass\*
- 600 WOG - 150 SWP
- Full Port
- Blow Out Proof Stem
- UL/FM Approved 1/2" - 2"
- Sweat Ends
- Conforms to MSS-SP-110 Specifications
- ISO-9002
- Sizes 1/2" - 2"

## DIMENSIONS

Part #	Size	ØD ± 0.15	H	L	W ± 1
757C03LF	1/2"	12.7	82	36.7	49.2
757C04LF	3/4"	19.0	100	44.9	69.3
757C05LF	1"	25.0	120	57.6	83.6
757C06LF	1-1/4"	30.5	120	61.8	94.9
757C07LF	1-1/2"	38.0	160	74.8	109.2
757C08LF	2"	50.0	160	86.4	134.8



## MATERIAL SPECIFICATIONS

No.	Part	Material
1	Body	Brass C37700
2	Cap	Brass C37700
3	Seat	PTFE
4	Ball	Brass C37700
5	Stem	Brass C36000
6	Thrust Washer	PTFE
7	Packing	PTFE
8	Gland	Brass C36000
9	Handle	Carbon Steel
10	Nut	Stainless Steel

\* These product complies with 0.25% weighted average lead content on wetted surfaces in accordance with Safe Water Drinking Act (SDWA) / Federal Public Law No. 111-380.



Global sourcing. National compliance. Local service.

**CALIFORNIA** 5593 Fresca Dr., La Palma CA 90623 • Toll Free: 866-532-8306 • Fax: 866-532-8307  
**TEXAS** 1150 Silber Rd., Houston TX 77055 • Toll Free: 800-935-5456 • Fax: 713-680-2999  
**NEW YORK** PO Box 27, Rt. 22, Brewster NY 10509 • Toll Free: 800-431-2082 • Fax: 845-278-9056  
 WEB: [www.matco-norca.com](http://www.matco-norca.com) EMAIL: [mail@matco-norca.com](mailto:mail@matco-norca.com)