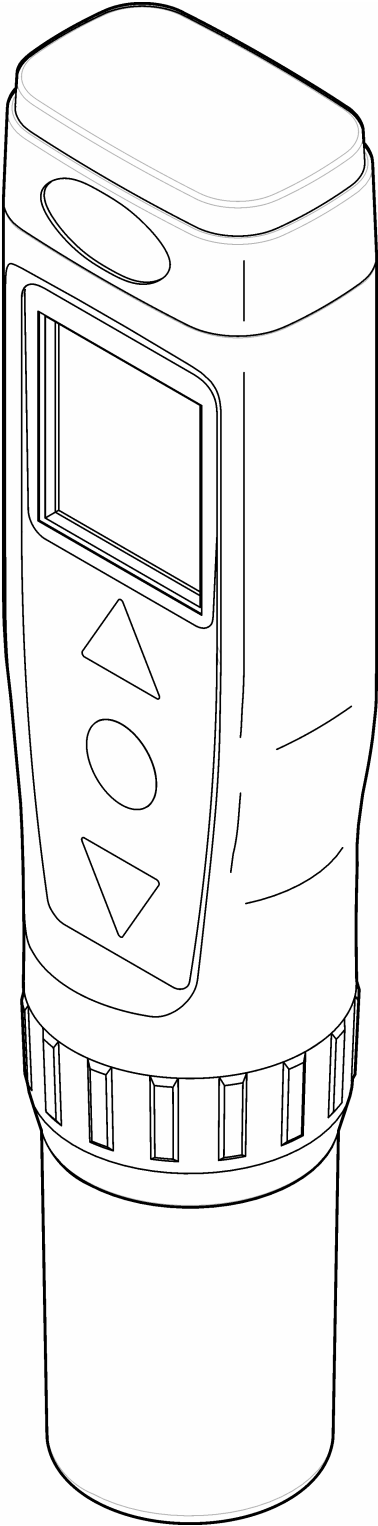


User Manual

Pocket Pro™ + Multi 2



Specifications

Specifications are subject to change without notice.

Specification	Details
Dimensions (W x D x H)	37 x 30 x 170 mm (1.45 x 1.18 x 6.69 in.)
Enclosure rating	IP67
Weight	135 g (0.297 lb) with batteries
Power requirements (internal)	AAA alkaline batteries (4x)
Battery life	450 hours (200 hours with backlight on)
Operating temperature	0 to 50 °C (32 to 122 °F)
Storage temperature	-20 to 60 °C (-4 to 140 °F)
Operating humidity	80% (non-condensing)
Altitude	2000 m (6562 ft)
Instrument range	pH: 0.00 to 14.00 Conductivity: auto-ranging (0.0 to 199.9 µS/cm, 200 to 1999 µS/cm, 2.00 to 19.99 mS/cm) TDS: auto-ranging (0.0 to 99.9 ppm, 100 to 999 ppm, 1.00 to 10.00 ppt) Salinity: auto-ranging (0.00 to 99.9 ppm, 100 to 999 ppm, 1.0 to 10.00 ppt, 0.00 to 1.00%) Temperature: 0.0 to 50°C (32.0 to 122.0 °F)
Resolution	pH: 0.01 pH Conductivity: 0.1 µS/cm from 0.0 to 199.9 µS/cm, 1 µS/cm from 200 to 1999 µS/cm, 0.01 mS/cm from 2.00 to 20.00 mS/cm) TDS: 0.1 ppm from 0.0 to 99.9 ppm, 1 ppm from 100 to 999 ppm, 0.01 ppt from 1.00 to 10.00 ppt Salinity: 0.1 ppm from 0.0 to 99.9 ppm, 1 ppm from 100 to 999 ppm, 0.01 ppt from 1.0 to 10.00 ppt, 0.01% from 0.0 to 1.00% Temperature: 0.1°C (0.1 °F)
Accuracy ^{1, 2}	pH: ±0.02 pH Conductivity: ±1% TDS: ±1% Salinity: ±1% Temperature: ±0.5 °C (±0.9 °F)
Calibration points	pH: 3 points (auto), 2 points (custom) Conductivity: 3 points (auto), 1 point (custom) <i>Note: Temperature calibration is not available.</i>
Auto-recognition calibration standards	pH: USA: 4.01, 7.00, 10.01 pH, NIST: 4.01, 6.86, 9.18 pH Conductivity: 147 µS/cm, 1413 µS/cm and 12.88 mS/cm
Certifications	CE mark, FCC, Industry Canada, KC Mark, RCM, China RoHS
Warranty	1 year for tester and 6 months for replacement sensor for manufacturing faults only. Damage from use is not covered.

¹ For pH, the accuracy is based on a 3-point calibration and calibration standards at the same temperature as the samples measured. Also valid for 5.5 to 8.5 pH based on a 1-point calibration, 0.0 to 8.5 pH based on a 2-point calibration with pH 7 and pH 4 standards, or 5.5 to 14 pH based on a 2-point calibration with pH 7 and pH 10 standards.

² For conductivity, TDS and salinity, the accuracy is based on a 2-point calibration and the conductivity range of the calibration standards includes the conductivity value of the water sample.

General information

In no event will the manufacturer be liable for direct, indirect, special, incidental or consequential damages resulting from any defect or omission in this manual. The manufacturer reserves the right to make changes in this manual and the products it describes at any time, without notice or obligation. Revised editions are found on the manufacturer's website.

Safety information

NOTICE

The manufacturer is not responsible for any damages due to misapplication or misuse of this product including, without limitation, direct, incidental and consequential damages, and disclaims such damages to the full extent permitted under applicable law. The user is solely responsible to identify critical application risks and install appropriate mechanisms to protect processes during a possible equipment malfunction.

Please read this entire manual before unpacking, setting up or operating this equipment. Pay attention to all danger and caution statements. Failure to do so could result in serious injury to the operator or damage to the equipment.

Make sure that the protection provided by this equipment is not impaired. Do not use or install this equipment in any manner other than that specified in this manual.

Use of hazard information

⚠ DANGER

Indicates a potentially or imminently hazardous situation which, if not avoided, will result in death or serious injury.

⚠ WARNING

Indicates a potentially or imminently hazardous situation which, if not avoided, could result in death or serious injury.

⚠ CAUTION



Indicates a potentially hazardous situation that may result in minor or moderate injury.

NOTICE

Indicates a situation which, if not avoided, may cause damage to the instrument. Information that requires special emphasis.

Precautionary labels

Read all labels and tags attached to the instrument. Personal injury or damage to the instrument could occur if not observed. A symbol on the instrument is referenced in the manual with a precautionary statement.

	This symbol, if noted on the instrument, references the instruction manual for operation and/or safety information.
	Electrical equipment marked with this symbol may not be disposed of in European public disposal systems after 12 August of 2005. In conformity with European local and national regulations (EU Directive 2002/96/EC), European electrical equipment users must now return old or end-of-life equipment to the Producer for disposal at no charge to the user. Note: For return for recycling, please contact the equipment producer or supplier for instructions on how to return end-of-life equipment, producer-supplied electrical accessories, and all auxiliary items for proper disposal.

Certification

Canadian Radio Interference-Causing Equipment Regulation, IECS-003, Class B:

Supporting test records reside with the manufacturer.

This Class B digital apparatus meets all requirements of the Canadian Interference-Causing Equipment Regulations.

Cet appareil numérique de classe B répond à toutes les exigences de la réglementation canadienne sur les équipements provoquant des interférences.

FCC Part 15, Class "B" Limits

Supporting test records reside with the manufacturer. The device complies with Part 15 of the FCC Rules. Operation is subject to the following conditions:

1. The equipment may not cause harmful interference.
2. The equipment must accept any interference received, including interference that may cause undesired operation.

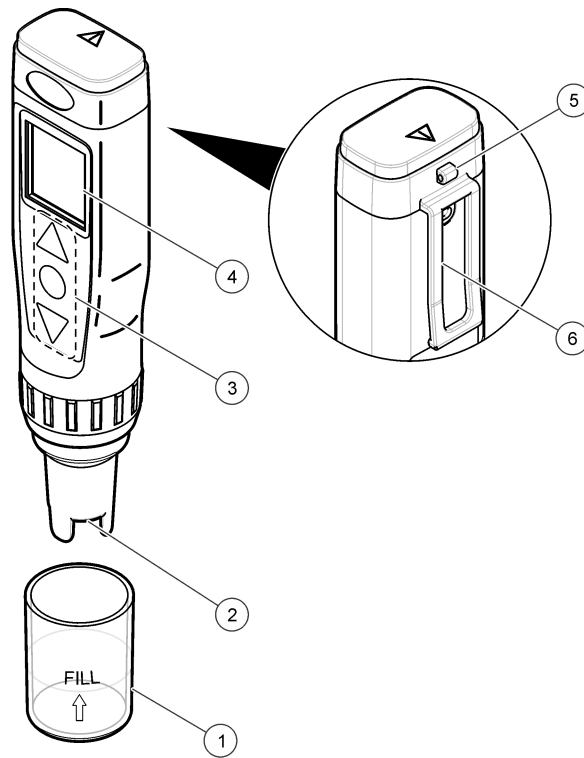
Changes or modifications to this equipment not expressly approved by the party responsible for compliance could void the user's authority to operate the equipment. This equipment has been tested and found to comply with the limits for a Class B digital device, pursuant to Part 15 of the FCC rules. These limits are designed to provide reasonable protection against harmful interference when the equipment is operated in a commercial environment. This equipment generates, uses and can radiate radio frequency energy and, if not installed and used in accordance with the instruction manual, may cause harmful interference to radio communications. Operation of this equipment in a residential area is likely to cause harmful interference, in which case the user will be required to correct the interference at their expense. The following techniques can be used to reduce interference problems:

1. Move the equipment away from the device receiving the interference.
2. Reposition the receiving antenna for the device receiving the interference.
3. Try combinations of the above.

Product overview

This Pocket Pro™+ tester measures the pH, conductivity, TDS (total dissolved solids) or salinity of general water samples. Refer to [Figure 1](#). This tester is waterproof and floats.

Figure 1 Product features

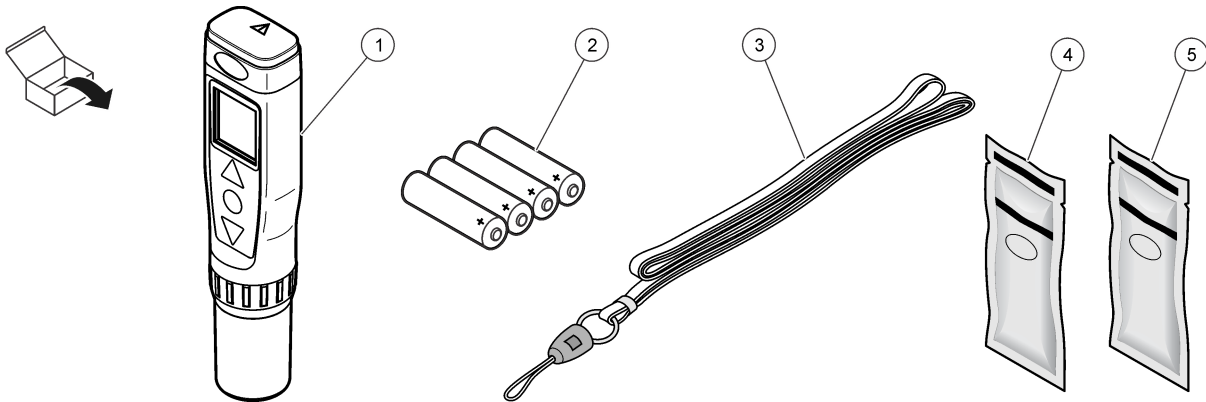


1 Sensor cap	3 Keypad	5 Lanyard attachment
2 Sensor	4 Display	6 Pocket clip

Product components



Make sure that all components have been received. Refer to [Figure 2](#). If any items are missing or damaged, contact the manufacturer or a sales representative immediately.

Figure 2 Product components



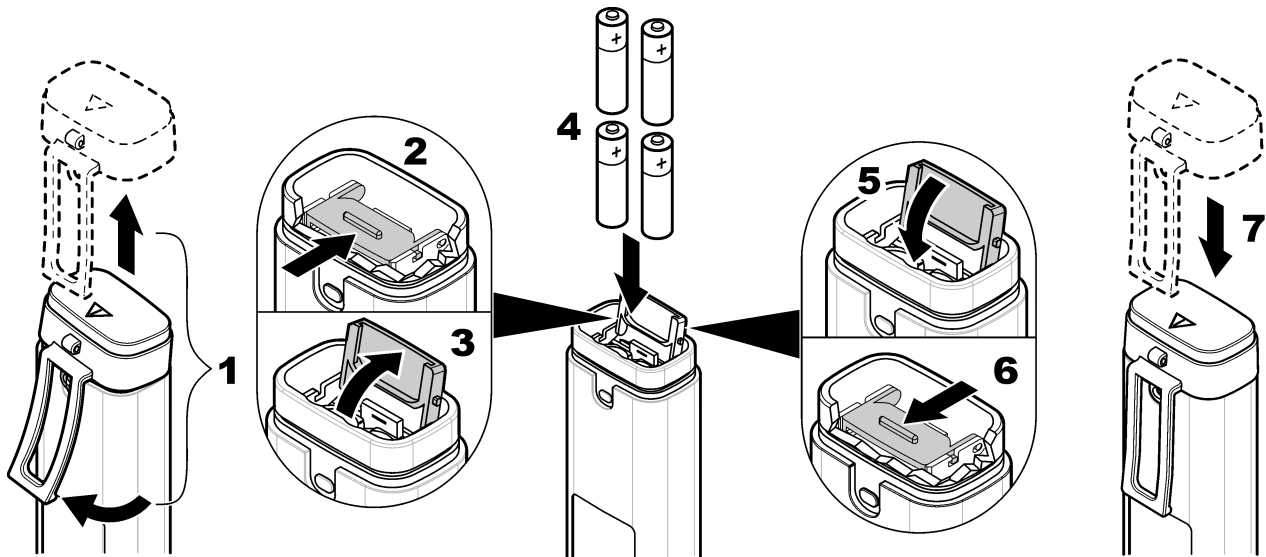
1 Pocket Pro+ tester	3 Lanyard	5 SINGLET™ (1413 µS/cm)
2 AAA alkaline batteries (4x)	4 SINGLET™ (7.00 pH)	

Install the batteries

⚠ CAUTION	
	Explosion hazard. Incorrect battery installation can cause the release of explosive gases. Be sure that the batteries are of the same approved chemical type and are inserted in the correct orientation. Do not mix new and used batteries.
⚠ WARNING	
	Fire hazard. Battery substitution is not permitted. Use only alkaline batteries.

Install the four AAA alkaline batteries in the tester. Refer to the illustrated steps in [Figure 3](#).

Figure 3 Install the batteries

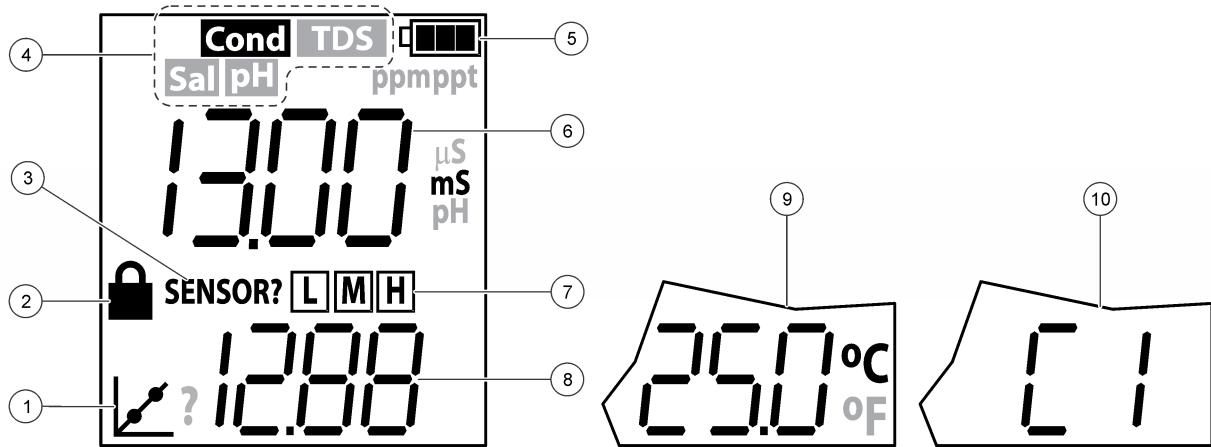


User interface and navigation

Display description

[Figure 4](#) shows the measurements, calibration standard information and indicator icons shown on the display. [Table 1](#) gives descriptions of the icons.

Figure 4 Display overview



1 Calibration icon	5 Battery icon	9 Temperature
2 Lock icon	6 Parameter value	10 Custom standard (C1, C2) ⁶
3 Sensor? icon	7 Calibration standard(s) measured for last calibration (low, medium, high) ⁴	
4 Parameter ³	8 Calibration standard(s) expected ⁵	

Table 1 Display icons

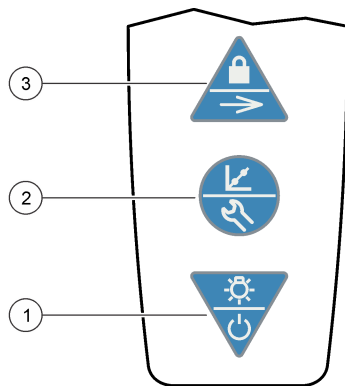
Icon	Description
	Shows the battery power level. Flashes when the battery power is less than 10%.
	Shows when the lock feature is on. When the lock feature is on, the parameter value on the display does not change. Push to set the lock feature to on or off.
Sensor?	Refer to Troubleshooting on page 12.
	Shows when the tester is in calibration mode or when a calibration is due. If "?" shows next to the calibration icon, the last calibration was not successful. When the ACAL setting is set to Yes (default), "?" shows next to the calibration icon on the pH screen when a pH calibration is due.

Keypad description

Figure 5 shows the keypad. Table 2 gives the key descriptions.

³ Only one parameter shows at a time.
⁴ Shows after auto calibration
⁵ Shows during auto calibration
⁶ Shows during pH custom calibration.

Figure 5 Keypad overview



1 Power/Backlight key	2 Calibration/Settings key	3 Lock/Parameter key
-----------------------	----------------------------	----------------------

Table 2 Key functions

Key	Description
	<p>Push and hold to set the power to on or off.</p> <p>Push to set the backlight to on or off. After 1 minute of no activity, the backlight switches off.</p>
	<p>Push to start a calibration of the parameter shown at the top of the display. To exit a calibration, push and hold.</p> <p>Push and hold until "SEt" shows on the display to go to the settings menu. To exit the settings menu, push and hold until "End" shows on the display. When in the settings menu, push to scroll through the settings.</p> <p>Note: Power cannot be set to off while in settings or calibration mode.</p>
	<p>Push and hold to scroll through the parameters measured.</p> <p>Push to set the lock feature to on or off. When the lock feature is on, the lock icon shows and the parameter value on the display does not change.</p>

Calibration

⚠ CAUTION	
	<p>Chemical exposure hazard. Obey laboratory safety procedures and wear all of the personal protective equipment appropriate to the chemicals that are handled. Refer to the current safety data sheets (MSDS/SDS) for safety protocols.</p>

Calibrate the tester before initial use and when:

- Results drift
- Results are not accurate
- "?" shows next to the calibration icon on the pH screen

Before initial calibration and after dry storage, soak the sensor for several minutes in the sample or a pH buffer.

Calibrate the parameters shown in [Table 3](#) with the:

- Auto calibration procedure
- Custom calibration procedure

The number of calibration standards measured (calibration points) depends on the calibration procedure. Refer to [Table 3](#).

Table 3 Number of calibration points

Parameter	Calibration procedure	Calibration points	Calibration standards
Conductivity	Auto	1–3	147 µS/cm, 1413 µS/cm, 12.88 mS/cm
	Custom	1	Any value
pH	Auto	1–3	USA: 4.01, 7.00, 10.01 NIST: 4.01, 6.86, 9.18
	Custom	1–2	Any value

Auto calibration – pH

Items to collect: One, two or three auto-recognition calibration standards

1. Set the power to on.
2. Remove the cap from the sensor.
3. Push and hold → until pH shows.
4. Push ↵ to go to calibration mode.
The auto-recognition standard(s) to measure shows on the bottom line.
Note: If "C1" shows on the bottom line, do not continue. Set the tester to auto calibration mode. Refer to [Configure the settings](#) on page 11.
5. Rinse the sensor and cap with deionized water and blot dry.
6. Pour the auto-recognition standard shown into the cap to the fill line.
7. Put the sensor fully into the cap.
8. When the measurement is stable, push ↵ to save the measurement.
The measured value flashes three times.
9. Optional: To measure another calibration standard (maximum of 3), do steps 5–8 again.
10. Push and hold ↵ to go to continuous measurement mode. "END" shows on the display.
11. Rinse the sensor and cap with deionized water and blot dry.

Auto calibration – conductivity

Items to collect: One, two or three auto-recognition calibration standards

1. Set the power to on.
2. Remove the cap from the sensor.
3. Push and hold → until Conductivity shows.
4. Push ↵ to go to calibration mode.
The auto-recognition standard(s) to measure shows on the bottom line.
Note: If "C1" shows on the bottom line, do not continue. Set the tester to auto calibration mode. Refer to [Configure the settings](#) on page 11.
5. Rinse the sensor and cap with deionized water and blot dry.
6. Pour the auto-recognition standard shown into the cap to the fill line.
7. Put the sensor fully into the cap.
8. When the measurement is stable, push ↵ to save the calibration and go to continuous measurement mode. The measured value will flash 3 times and then stop. Then, "END" shows on the display.
9. Optional: To measure another calibration standard (maximum of 3), do steps 4–8 again.
10. Rinse the sensor and cap with deionized water and blot dry.

Custom calibration – pH

Items to collect: One or two calibration standards or samples of known pH value

1. Set the power to on.
2. Remove the cap from the sensor.
3. Push and hold \rightarrow until "pH" shows.
4. Go to the settings menu. Make sure the bUFR setting is set to Cus (custom standard). Refer to [Configure the settings](#) on page 11.
5. Push \swarrow to go to calibration mode.
"C1" shows on the bottom line.
6. Rinse the sensor and cap with deionized water and blot dry.
7. Pour the calibration standard or sample into the cap to the fill line.
8. Put the sensor fully into the cap.
9. When the measurement is stable, push \blacktriangle and \blacktriangledown until the pH value of the calibration solution or sample shows on the display.
10. Optional: To measure a second pH calibration standard or sample of known value, push \swarrow , then do steps 6–9 again.
11. When the last measurement is stable, push and hold \swarrow to save the calibration and go to continuous measurement mode. "END" shows on the display.
Note: "ECAL" shows on the display if the calibration was not successful. Refer to [Troubleshooting](#) on page 12.
12. Rinse the sensor and cap with deionized water and blot dry.

Custom calibration – conductivity


Item to collect: One calibration standard or sample of known value

1. Remove the cap from the sensor.
2. Set the power to on.
3. Push and hold \rightarrow until "Cond" shows.
4. Go to the settings menu. Make sure that the Std setting in the conductivity settings menu is set to Cus (custom standard). Refer to [Configure the settings](#) on page 11.
5. Push \swarrow to go to calibration mode.
"C1" shows on the bottom line.
6. Rinse the sensor and cap with deionized water and blot dry.
7. Pour the calibration standard or sample into the cap to the fill line.
8. Put the sensor fully into the cap.
9. When the measurement is stable, push \blacktriangle and \blacktriangledown until the pH value of the calibration solution or sample shows on the display.
10. Push \swarrow . The entered value will flash 3 times and then stop. "END" shows on the display.
11. Rinse the sensor and cap with deionized water and blot dry.

Measurement

Note: Air bubbles under the probe tip when submerged can cause slow stabilization or error in measurement. Shake the tester from side to side to remove air bubbles.



1. Set the power to on.
2. Remove the cap from the sensor.
3. If the lock icon shows on the display, push \mathbb{L} to go to continuous measurement mode.
4. Push and hold \rightarrow to select the parameter to measure (i.e., Conductivity).
Note: Only one parameter can be measured at one time.

5. Rinse the sensor and cap with deionized water and blot dry.
6. Pour the water sample into the cap to the fill line.
7. Put the sensor fully into the cap. The measured value shows on the top line.
8. To keep the measured value on the display when the sensor is removed from the sample, push .




Note: The lock icon shows on the display when the measurement is stable.
9. To measure another sample, do steps 3–8.
10. When done with measurements:
 - a. Rinse the sensor and cap with deionized water.
 - b. Put the cap on the tester.
 - c. Set the power to off.

Advanced operation

Configure the settings

1. Push and hold  until "SET" shows on the display.
2. Push  to scroll through the settings. The current value of the setting shows on the bottom line.

Option	Description
Unit	Select the temperature unit that shows on the display—Celsius (default) or Fahrenheit.
bUFR	Select the pH buffers that are used for auto calibration—USA (4.01, 7.01, 10.01, default), NIST (4.01, 6.86, 9.18) or Cus (custom standard).
Std	Select the type of calibration standard to use for calibration—Aut (auto-recognition standard, default) or CUS (custom standard). This setting is not in the pH settings menu.
trEF	Enter the conductivity reference temperature for temperature correction—15.0 to 30.0 °C (default = 25.0 °C).
tC	Enter the conductivity temperature compensation factor (linear)—0.00% to 9.99% per °C (default = 2.00% per °C). The correction factor may need to be identified experimentally. For example, the factor for ultrapure water is 4.55% per °C and the factor for NaCl salt solution 2.125% per °C.
Fctr	Enter the TDS factor— 0.40 to 1.00 (default = 0.71)
Unit	Select the salinity unit that shows on the display— ppt or %.
AOFF	Set the auto-off feature to on (default) or off. When set to on, power is automatically set to off after 8 minutes of no activity.
ACAL	Enable or disable pH calibration reminder—Yes (enable, default) or No (disable). When set to Yes, "?" shows next to the calibration icon when a calibration is due.
rSEt	Change the settings to the factory defaults—Yes or No (default). When set to Yes, changes the settings for all the parameters to the factory settings and default values.

3. To change the value of the setting, push  or .
4. When done with changes, push and hold  until "End" shows to go to continuous measurement mode.

Maintenance

⚠ CAUTION



Multiple hazards. Only qualified personnel must conduct the tasks described in this section of the document.

Clean the sensor

Clean the sensor when:

- "SENSOR?" shows on the display
 - Stabilization is slow
 - Results drift or are not accurate
 - Calibration failure occurs
1. Soak the sensor in the applicable cleaning agent. Refer to [Table 4](#).
 2. Rinse or soak the sensor in deionized water for 1 minute.

Table 4 Cleaning agents

Contaminant	Cleaning agent	Time
Grease, oils and fats	Electrode cleaning solution	2 hours maximum
Mineral buildup	10% hydrochloric acid (HCl) solution	5 minutes maximum

Replace the batteries

When the battery icon flashes or the tester will not come on, replace all four batteries. Refer to [Install the batteries](#) on page 6.

Replace the sensor

To replace the sensor, refer to the instructions supplied with the sensor.

Troubleshooting

Message	Possible cause	Solution
SENSOR?	The calibration slope is $\pm 10\text{--}15\%$.	Gently clean the sensor. Refer to Clean the sensor on page 12.
ECAL	Calibration failure. The pH calibration slope is greater than $\pm 15\%$.	Gently clean the sensor. Refer to Clean the sensor on page 12. Calibrate again. If calibration failure continues, replace the sensor.
"- - - -" (top line)	The parameter value is not within the measurement range of the tester. Refer to Specifications on page 2.	Make sure that the value of the sample is within the measurement range of the tester. Gently clean the sensor. Refer to Clean the sensor on page 12. Calibrate as necessary.
"- - - -" (bottom line)	The temperature value is not within the operating temperature range of the tester or a temperature sensor failure occurred. Refer to Specifications on page 2 for the operating temperature range.	Make sure that the sample temperature is within the operating temperature range of the tester. Contact technical support as necessary. <i>Note: The tester can still be used if a temperature sensor failure has occurred, but without automatic temperature compensation.</i>
Battery icon flashes	The batteries have less than 10% power remaining.	Replace all four batteries. Refer to Install the batteries on page 6.

Replacement parts and accessories

WARNING



Personal injury hazard. Use of non-approved parts may cause personal injury, damage to the instrument or equipment malfunction. The replacement parts in this section are approved by the manufacturer.

Note: Product and Article numbers may vary for some selling regions. Contact the appropriate distributor or refer to the company website for contact information.

Table 5 Replacement parts

Description	Quantity	Item no.
AAA alkaline batteries	4/pkg	4674300
Lanyard	1	201305
SINGLET, 1413 $\mu\text{S}/\text{cm}$	20/pkg	2771420
SINGLET, 7.00 pH	20/pkg	2770120
pH/Cond/TDS/Salinity sensor, replacement	1	9532801

Table 6 Accessories

Description	Quantity	Item no.
SINGLET, 4.01 pH	20/pkg	2770020
SINGLET, 10.01 pH	20/pkg	2770220
SINGLET, 147 $\mu\text{S}/\text{cm}$	20/pkg	2771320
SINGLET, 12.88 ms/cm	20/pkg	2771520
Electrode cleaning solution	500 mL	2965249
Hydrochloric Acid (HCl)	2.5 L	13406
Hydrochloric Acid (HCl)	500 mL	13449

HACH COMPANY World Headquarters

P.O. Box 389, Loveland, CO 80539-0389 U.S.A.
Tel. (970) 669-3050
(800) 227-4224 (U.S.A. only)
Fax (970) 669-2932
orders@hach.com
www.hach.com

HACH LANGE GMBH

Willstätterstraße 11
D-40549 Düsseldorf, Germany
Tel. +49 (0) 2 11 52 88-320
Fax +49 (0) 2 11 52 88-210
info@hach-lange.de
www.hach-lange.de

HACH LANGE Sàrl

6, route de Compois
1222 Vézenaz
SWITZERLAND
Tel. +41 22 594 6400
Fax +41 22 594 6499

