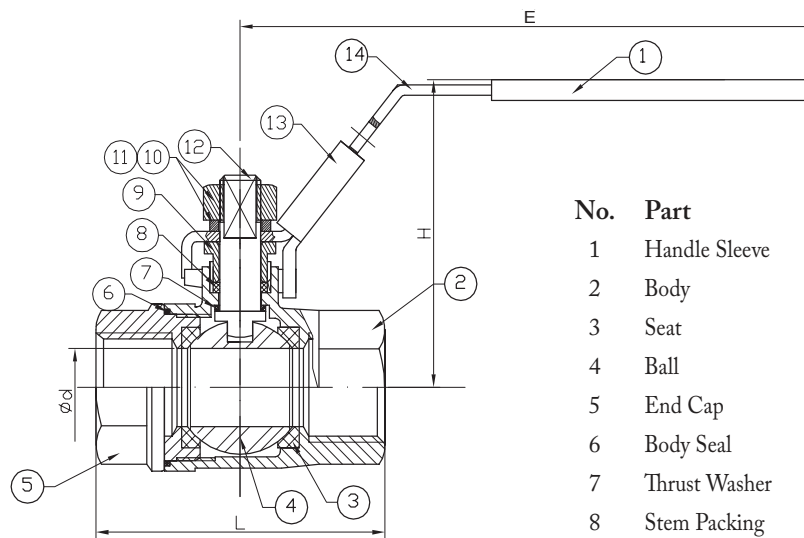


2-PIECE 316 STAINLESS BALL VALVE

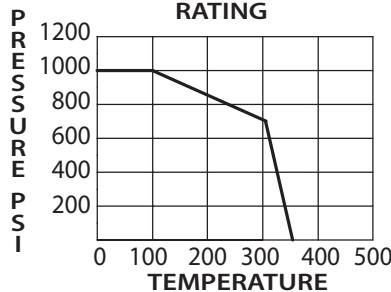


- 1000# CWP, 150# WSP
- Full Port
- Blow-Out Proof Stem
- Vacuum Service to 29" Hg
- Locking Handle
- ISO 9001:2008 Manufacturer
- MSS SP-10
- Lead Free



No.	Part	Material
1	Handle Sleeve	Plastic
2	Body	ASTM A351 GR CF8M (SS316)
3	Seat	RTFE 15%
4	Ball	ASTM A351 GR CF8M (SS316)
5	End Cap	CF8M Stainless Steel (316)
6	Body Seal	PTFE
7	Thrust Washer	PTFE
8	Stem Packing	PTFE
9	Packing Nut	304 Stainless Steel
10	Handle Washer	304 Stainless Steel
11	Handle Nut	304 Stainless Steel
12	Stem	ASTM A276 T-316
13	Locking Device	304 Stainless Steel
14	Handle	304 Stainless Steel

PRESSURE - TEMPERATURE RATING



Size IN	Part Number	Weight LB	d IN	L IN	H IN	E IN
1/4	SC201C	0.46	0.46	1.91	1.89	3.94
3/8	SC201E	0.46	0.50	1.91	1.89	3.94
1/2	SC201G	0.60	0.59	2.24	2.28	4.33
3/4	SC201I	0.87	0.79	2.68	2.40	4.92
1	SC201K	1.45	0.98	3.15	3.03	5.71
1-1/4	SC201L	2.13	1.26	3.58	3.19	6.30
1-1/2	SC201M	3.30	1.50	4.06	3.54	7.09
2	SC201N	5.70	1.97	4.88	4.25	7.09
2-1/2	SC201P	11.59	2.56	6.18	5.12	9.06
3	SC201Q	17.10	2.99	7.09	5.59	9.06

USA 800-766-0076

Fax 323-890-4456

www.smithcooper.com

Los Angeles, CA

Chicago, IL

Atlanta, GA

Vancouver, WA

Houston, TX