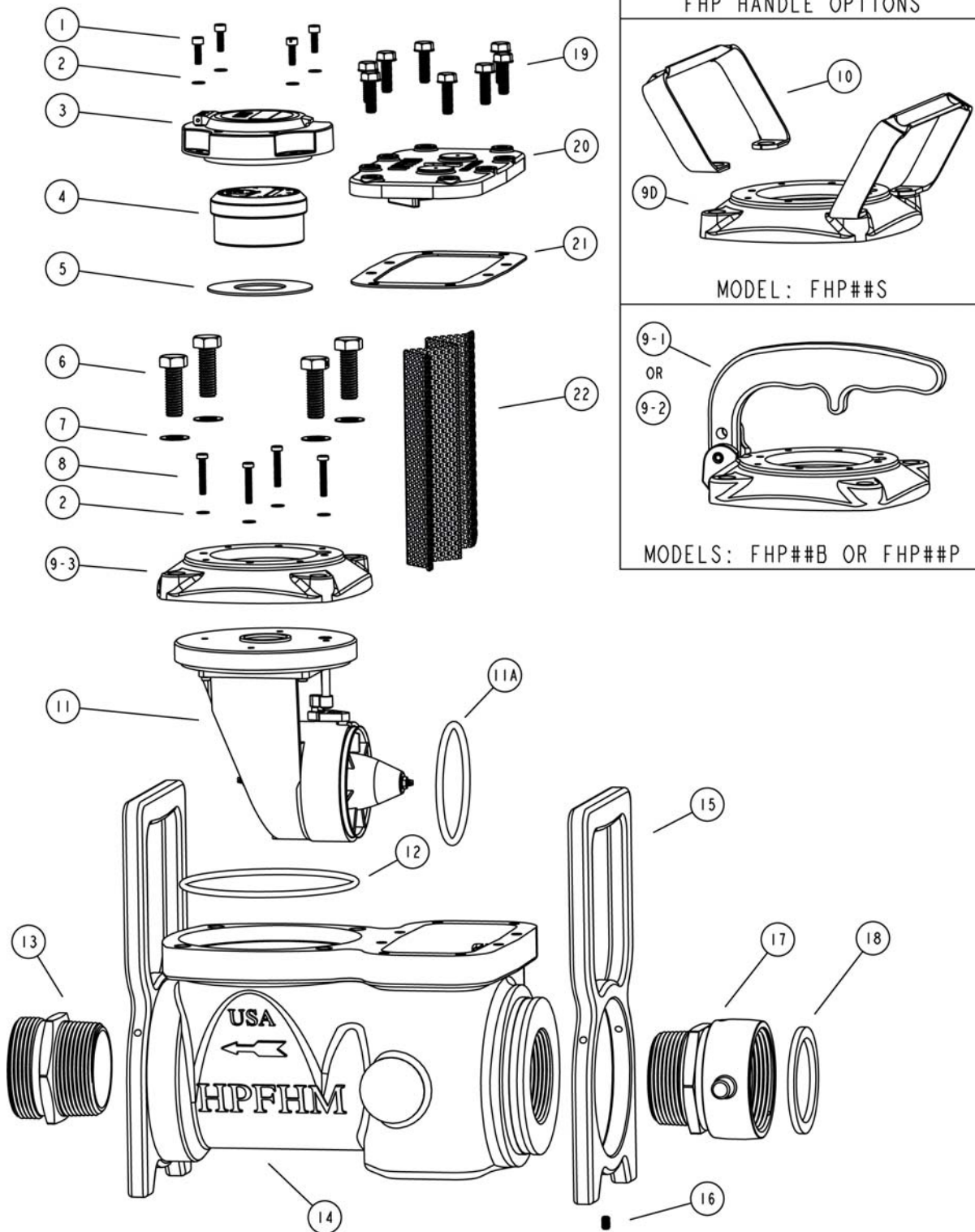


ZENNER PERFORMANCE

ZENNER PERFORMANCE Fire Hydrant Meters MODELS FHP25, FHP30 (Size 3")



ZENNER PERFORMANCE

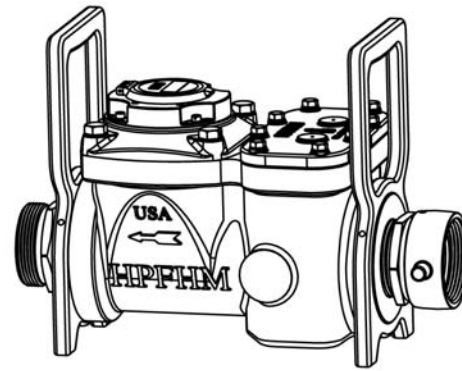
15280 Addison Rd #340, Addison, TX 75001, (972) 386-6611, Fax (972) 386-1814

www.zennerusa.com

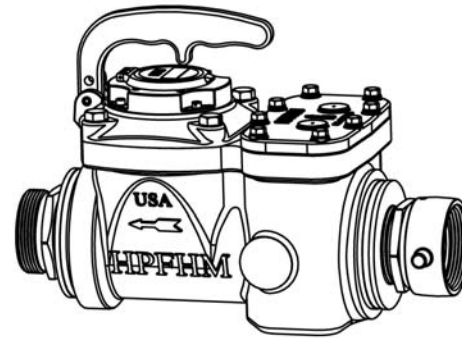
**ZENNER PERFORMANCE**

ZENNER PERFORMANCE Fire Hydrant Meters MODELS FHP25, FHP30 (Size 3")

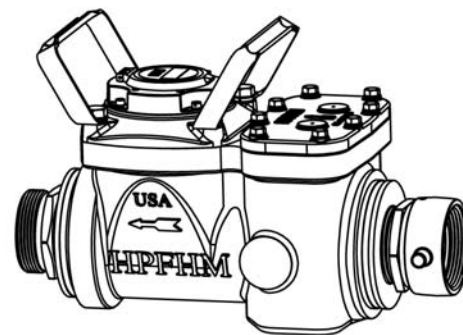
PERFORMANCE HYDRANT METER PARTS LIST MODELS: FHP##D, FHP##B, FHP##P, FHP##S		
NO.	DESCRIPTION	QTY
1	SCREW, ALLEN, 5M, SS	4
2	WASHER, LOCKING, 5M	8
3	REGISTER COVER ASSEMBLY, BRASS	1
4-CF	REGISTER (CUBIC FEET)	1
4-CM	REGISTER (CUBIC METERS)	1
4-US	REGISTER (U.S. GALLONS)	1
5	MAGNET BARRIER RING	1
6	BOLT, HEX, SS, COVER PLATE	4
7	WASHER, FLAT, SS, COVER PLATE	4
8	SCREW, SLOTTED, 5M, SS	4
9-1*	COVER PLATE ASSY, BARREL LOCK (FHP##B)	1
9-2*	COVER PLATE ASSY, PADLOCK (FHP##P)	1
9-3*	COVER PLATE (FHP##D, FHP##S, FHP##N)	1
10	DOUBLE HANDLE, SS (FHP##S)	2
11	MEASURING ELEMENT ASSEMBLY, COMPLETE	1
11A	O-RING, MEASURING ELEMENT FRONT SEAL	1
12	O-RING, MEASURING ELEMENT	1
13-1*	NIPPLE, 2.5"NH X 2.5"MIP (FHP25)	1
13-2*	NIPPLE, 2.5"NH X 3"MIP (FHP30)	1
14-1*	FHP25 HOUSING, 2.5" OUTLET W/RESTRICTOR	1
14-2*	FHP30 HOUSING, 3" OUTLET W/OPEN PORT	1
15	DOUBLE HANDLE, ALUMINUM (FHP##D)	2
16	SET SCREW, SS (FHP##D)	6
17-1*	SWIVEL, 2.5"SW X 2.5"MIP (FHP20, FHP25)	1
17-2*	SWIVEL, 2.5"SW X 3"MIP (FHP30)	1
18	SWIVEL GASKET	1
19	BOLT HEX WASHER SS, 5/16-18 X 1	8
20	STRAINER COVER	1
21	GASKET, STRAINER COVER	1
22	STRAINER SCREEN	1



MODEL: FHP##D  
ALUMINUM DOUBLE HANDLES



MODELS: FHP##P AND FHP##B  
PADLOCK AND BARREL LOCK



MODEL: FHP##S  
STAINLESS STEEL DOUBLE HANDLES

**ZENNER PERFORMANCE**

15280 Addison Rd #340, Addison, TX 75001, (972) 386-6611, Fax (972) 386-1814

www.zennerusa.com