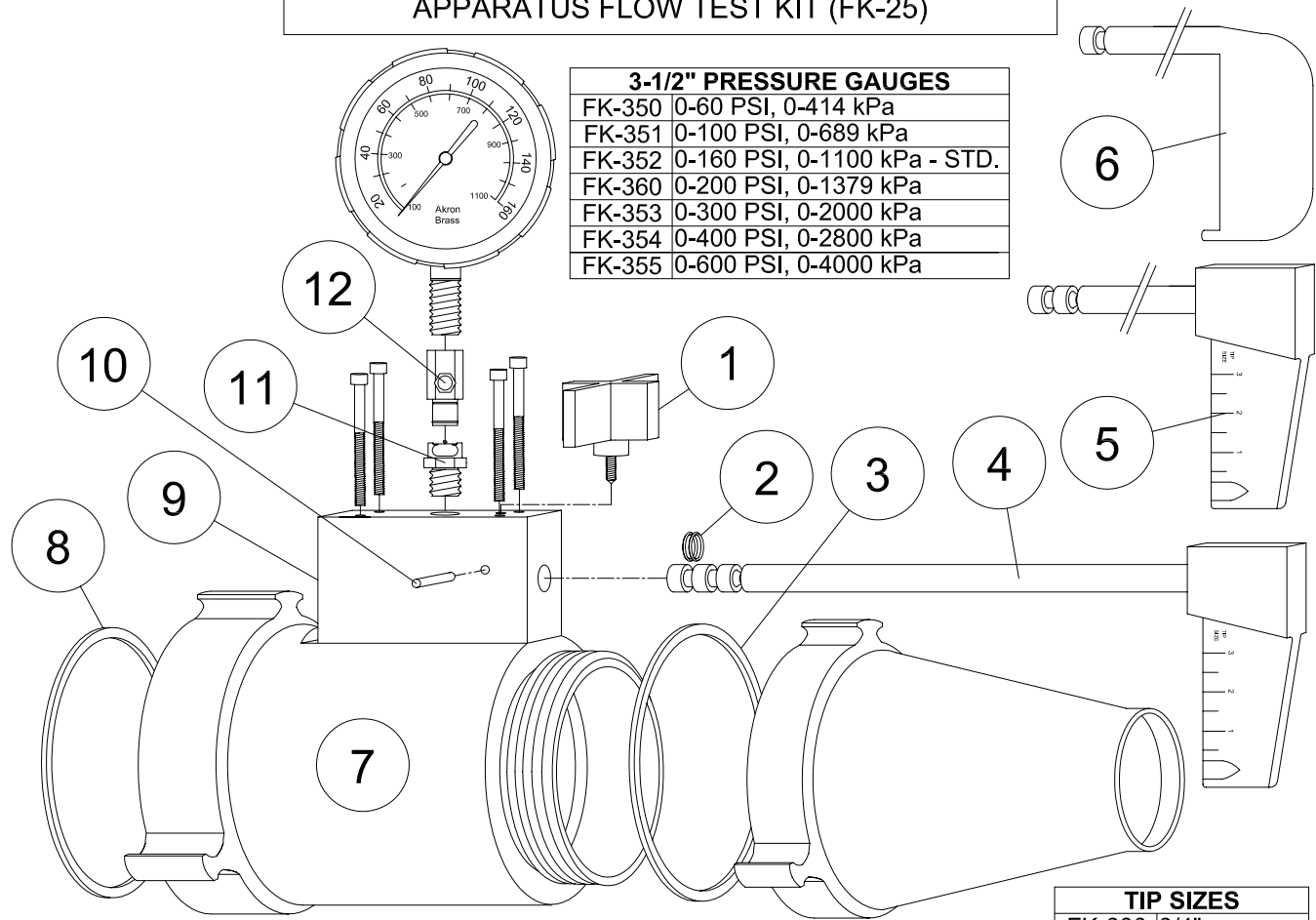


APPARATUS FLOW TEST KIT (FK-25)

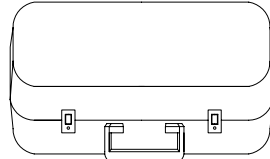
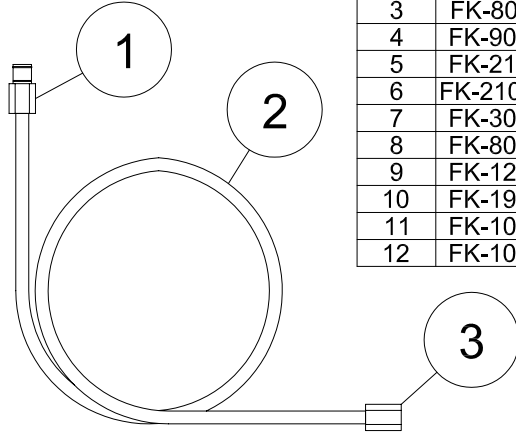


| 3-1/2" PRESSURE GAUGES | |
|------------------------|------------------------------|
| FK-350 | 0-60 PSI, 0-414 kPa |
| FK-351 | 0-100 PSI, 0-689 kPa |
| FK-352 | 0-160 PSI, 0-1100 kPa - STD. |
| FK-360 | 0-200 PSI, 0-1379 kPa |
| FK-353 | 0-300 PSI, 0-2000 kPa |
| FK-354 | 0-400 PSI, 0-2800 kPa |
| FK-355 | 0-600 PSI, 0-4000 kPa |

| OTHER BARREL SIZES | |
|--------------------|------------------|
| FK-30 | 3" FIXED TIP |
| FK-35 | 3-1/2" FIXED TIP |
| FK-40 | 4" FIXED TIP |
| FK-45 | 4-1/2" FIXED TIP |

| PARTS LIST | | | |
|------------|----------|----------------------------|------|
| ITEM NO. | PART NO. | DESCRIPTION | QTY. |
| 1 | FK-199 | THUMB KNOB | 1 |
| 2 | FK-220 | O-RING | 2 |
| 3 | FK-801 | TIP GASKET | 1 |
| 4 | FK-900 | PITOT BLADE-MTG. PIN STYLE | 1 |
| 5 | FK-210 | PITOT BLADE-FIXED BLADE | 1 |
| 6 | FK-210C | PITOT BLADE-CHROME | 1 |
| 7 | FK-300 | 2-1/2" BARREL | 1 |
| 8 | FK-800 | SWIVEL GASKET | 1 |
| 9 | FK-120 | BLOCK ADAPTER | 1 |
| 10 | FK-198 | DOWEL PIN | 1 |
| 11 | FK-102 | SWIVEL ADAPTER | 1 |
| 12 | FK-109 | BLEEDER/ADAPTER ASSY | 1 |

| TIP SIZES | |
|-----------|---------------|
| FK-330 | 3/4" |
| FK-331 | 7/8" |
| FK-301 | 1" |
| FK-332 | 1-1/8" |
| FK-302 | 1-1/4" |
| FK-333 | 1-3/8" |
| FK-303 | 1-1/2" - STD. |
| FK-334 | 1-5/8" |
| FK-304 | 1-3/4" - STD. |
| FK-335 | 1-7/8" |
| FK-305 | 2" - STD. |
| FK-336 | 2-1/8" |
| FK-306 | 2-1/4" - STD. |
| FK-337 | 2-3/8" |
| FK-307 | 2-1/2" |



| OPTIONAL (RG-230) 10' REMOTE ASSEMBLY PARTS LIST | | | |
|---|----------|-------------------------|------|
| ITEM NO. | PART NO. | DESCRIPTION | QTY. |
| 1 | FK-103 | MALE SWIVEL PLUG | 1 |
| 2 | FK-105 | 1/4" TUBING | 10' |
| 3 | FK-104 | FEMALE SWIVEL CONNECTOR | 1 |

| CASES | | |
|--------|---|-----------------------------------|
| FK-230 | LARGE CASE | 18-3/8" W x 14-1/4" D x 8" H-STD. |
| FK-231 | EXTRA LARGE CASE | 20-3/4" W x 16-1/2" D x 9-1/4" H |
| FK-225 | LARGE FOAM INSERT FOR FK-230 CASE | |
| FK-226 | EXTRA LARGE FOAM INSERT FOR FK-231 CASE | |

ISO-9001 CERTIFIED

Akron Brass Company
 A Premier Farnell Company
 501 N. Cummings Lane, Washington, IL 61571
 Phone: (800)214-6800 Fax: (800)214-6808