

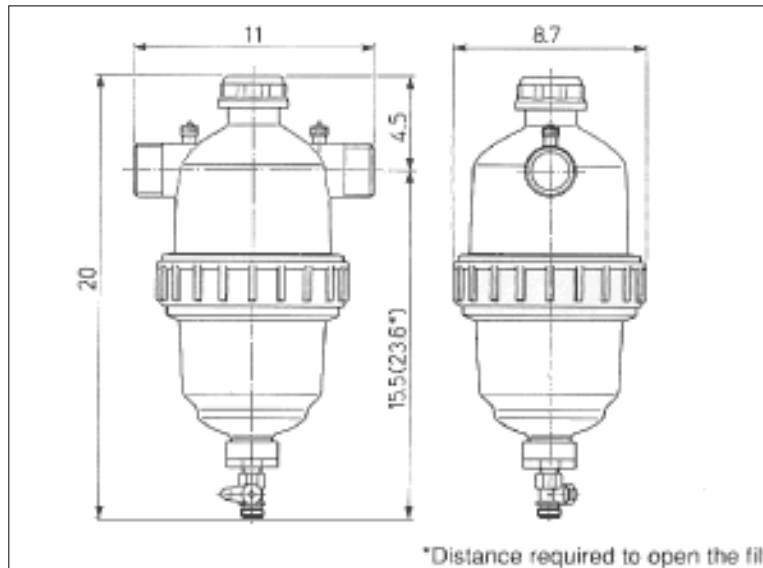
# 2"T Plastic Filter

## Technical Specifications:

- Cat. No. : 1-202
- In/Out Diameter: 2 inch
- Max Flow: 80 gpm
- Max Pressure: 150 psi
- Max Temperature: 140°F
- Screen Filter Area: 109 sq. in.
- Disc Filter Area: 184 sq. in.
- Screen Weight: 12 lb.
- Disc Weight: 15 lb.



## Filter Drawing:



## Construction Materials:

- Color: Black
- Housing: Polyamid + Glass Fibres
- Lid: Polyamid + Glass Fibres
- Housing seal: Nitril Rubber
- Nut / Clamp: Polyamid + Glass Fibres
- Screen cylinder -  
Construction: Polycarbonate  
Mesh: ST. ST. 316  
Seals: Nitril Rubber
- Disc element -  
Construction: Polyethylene  
Grooved discs: Polyethylene  
Seals: Nitril Rubber

---

Weavewire Screen - 22- 800 micron / 450 - 20 mesh  
Disc Element - 25 - 450 micron / 450 - 60 mesh

---

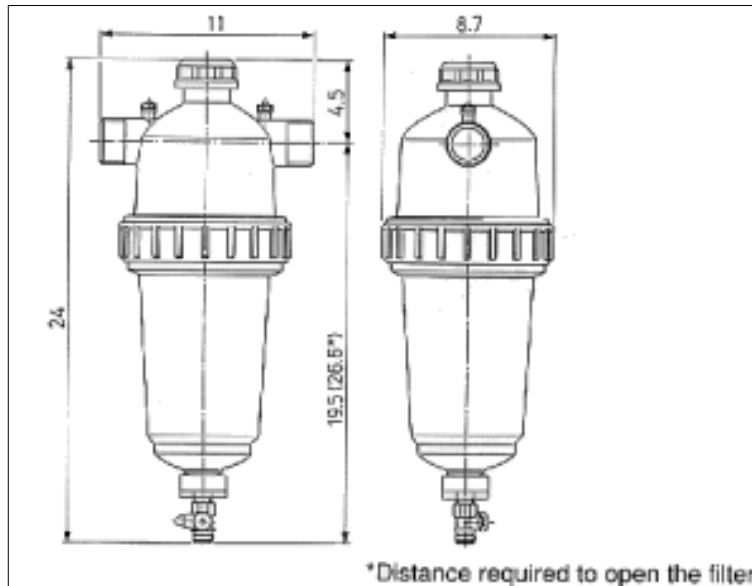
---

## Technical Specifications:

- Cat. No. : 1-2221
- In/Out Diameter: 2 inch
- Max Flow: 110 gpm
- Max Pressure: 150 psi
- Max Temperature: 140°F
- Screen Filter Area: 72 sq. in.
- Disc Filter Area: 122 sq. in
- Screen Weight: 12 lb.
  
- Disc Weight: 15 lb.



## Filter Drawing



## Construction Materials:

- Color: Black
- Housing: Polyamid + Glass Fibres
- Lid: Polyamid + Glass Fibres
- Housing seal: Nitril Rubber
- Nut / Clamp: ST. ST. 316
- Screen cylinder -  
Construction: Polycarbonate  
Mesh: ST. ST. 316  
Seals: Nitril Rubber
- Disc element -  
Construction: Polyethylene  
Grooved discs: Polyethylene  
Seals: Nitril Rubber

---

Weavewire Screen - 80 - 500 micron / 200 - 30 mesh  
Disc Element - 100 - 250 micron / 155 - 60 mesh

---

---

**Filtration degrees available**

Type	Disc Element (1)					Weavewire Screen (2)										Perforated Screen (3)			
Color	Green	Yellow	Red	Purple	Brown	Brown	Orange	Black	Yellow	Red	White	Blue	Green	Gray					
Micron	25	100	130	180	250	22	50	80	100	130	200	300	500	800	800	1500	2500	3500	
Mesh	450	155	120	80	60	450	300	200	155	120	75	50	30	20	20	10	6	4	
3/4"						●	●	●	●	●	●	●	●	●					
1" C						●	●	●	●	●	●	●	●	●					
1" S	●	●	●		●	●	●	●	●	●	●	●	●	●					
1.5" C	●	●	●		●	●	●	●	●	●	●	●	●	●					
1.5" S	●	●	●		●	●	●	●	●	●	●	●	●	●					
2" T		●	●	●	●		●	●	●	●	●	●	●		●	●	●	●	
2" L S		●	●	●	●		●	●	●	●	●	●	●		●	●	●	●	
3"LT-S		●	●	●	●		●	●	●	●	●	●	●		●	●	●	●	

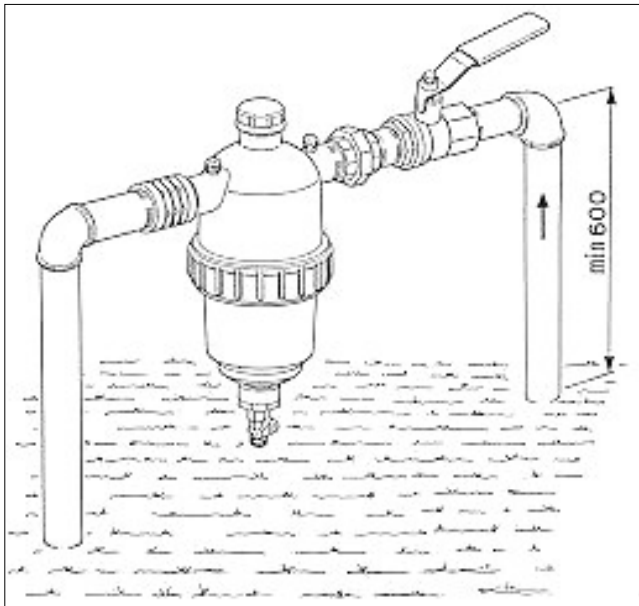
**Filter Elements**



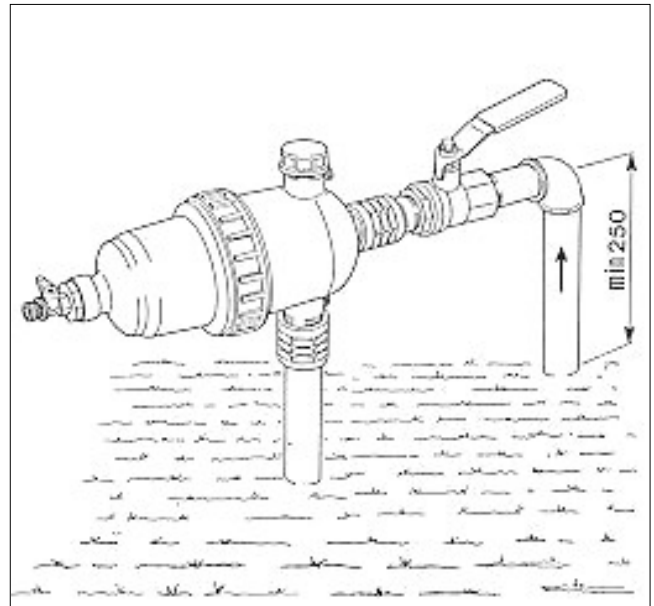
(1) Disc Element	(2) Weavewire Screen	(3) Perforated Screen
A stack of thin grooved plastic discs, piled together around a telescopic core. Color coded according to the different filtration degrees. High retention capacity of particles.	Molded plastic construction with inserted mesh sleeve made from polyester or stainless steel. Color coded according to the different filtration degrees.	For coarse filtration - perforated stainless steel screens for 2" and 3" filters.

**Typical Installations For 2"-3" Filters**

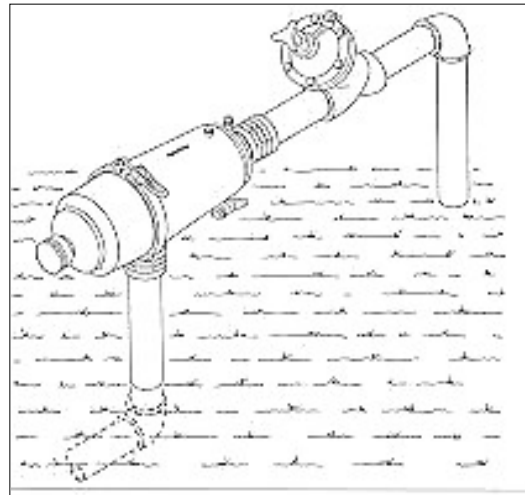
**2" Plastic**



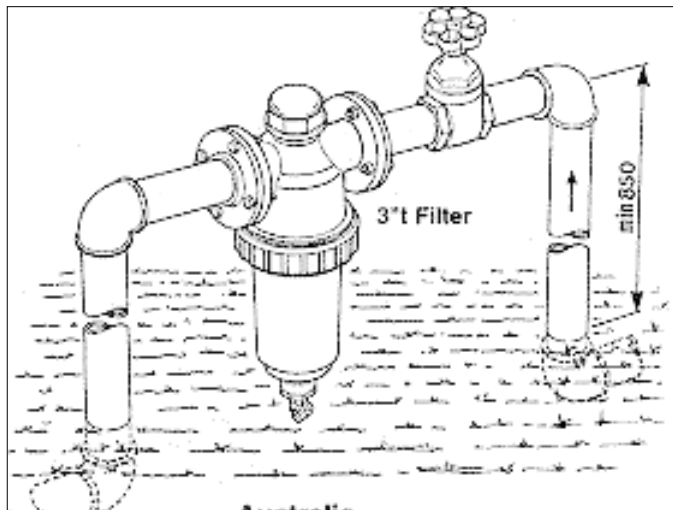
**2" T Plastic Filter**



**2" L Super Filter**



**3" T Filter**



**3" LT Super Filter**

