

1.5" Plastic Filter

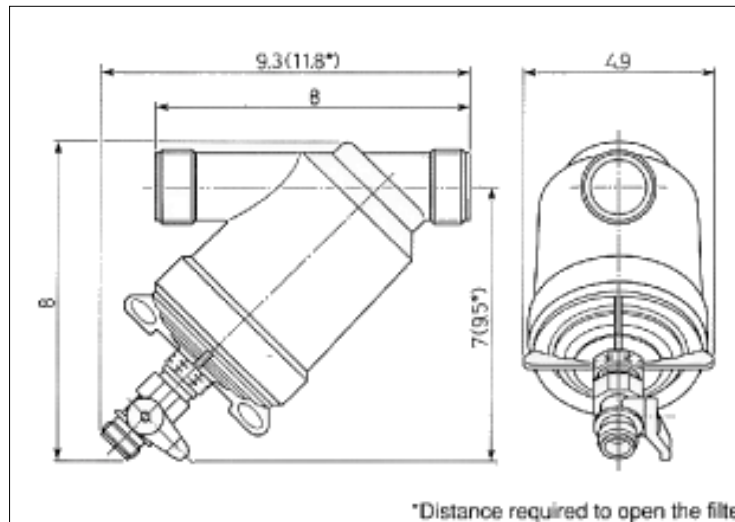
Technical Specifications:

- Cat. No. : 1-1501
-
- Max Flow: 45 gpm
- Max Pressure: 150 psi
- Max Temperature: 140°F
- Screen Filter Area: 26 sq. in.
- Disc Filter Area: 31 sq. in.
- Screen Weight: 2 lb.
- Disc Weight: 2 lb.



Construction Materials:

- Color: Black
- Housing: Polyacetal
- Lid: Polyacetal
- Housing seal: Nitril Rubber
- Screen cylinder -
Construction: Polypropylene
Mesh: Polyester
Seals: Nitril Rubber
- Disc element -
Construction: Polypropylene
Grooved discs: Polyethylene
Seals: Nitril Rubber



Weavewire Screen - 22 - 800
micron / 450 - 20 mesh
Disc Element - 25 - 250 micron /
450 - 60 mesh

1.5" Super Plastic Filter

US
version

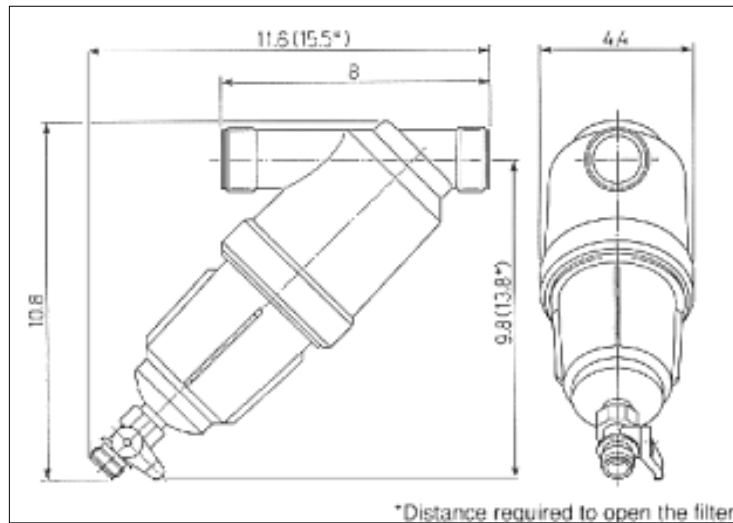
Technical Specifications:

- Cat. No. : 1-1601
- In/Out Diameter: 1.5 inch
- Max Flow: 60 gpm
- Max Pressure: 150 psi
- Max Temperature: 140°F
- Screen Filter Area: 52 sq. in.
- Disc Filter Area: 71 sq. in.
- Screen Weight: 3 lb.
- Disc Weight: 4 lb.



Construction Materials:

- Color: Black
- Housing: Polyacetal
- Lid: Polyacetal
- Housing seal: Nitril Rubber
- Screen cylinder -
Construction: Polypropylene
Mesh: Polyester
Seals: Nitril Rubber
- Disc element -
Construction: Polypropylene
Grooved discs: Polyethylene
Seals: Nitril Rubber



Weavewire
Screen
-
22
-
800
micron
/
450
-
20
mesh
Disc
Element
-
25
-
250
micron
/
450
-
60
mesh

Head
Loss
Graphs

Filtration degrees available

Type	Disc Element (1)					Weavewire Screen (2)										Perforated Screen (3)			
Color	Green	Yellow	Red	Purple	Brown	Brown	Orange	Black	Yellow	Red	White	Blue	Green	Gray					
Micron	25	100	130	180	250	22	50	80	100	130	200	300	500	800	800	1500	2500	3500	
Mesh	450	155	120	80	60	450	300	200	155	120	75	50	30	20	20	10	6	4	
3/4"						●	●	●	●	●	●	●	●	●					
1" C						●	●	●	●	●	●	●	●	●					
1" S	●	●	●		●	●	●	●	●	●	●	●	●	●					
1.5" C	●	●	●		●	●	●	●	●	●	●	●	●	●					
1.5" S	●	●	●		●	●	●	●	●	●	●	●	●	●					
2" T		●	●	●	●		●	●	●	●	●	●	●		●	●	●	●	
2" L S		●	●	●	●		●	●	●	●	●	●	●		●	●	●	●	
3"LT-S		●	●	●	●		●	●	●	●	●	●	●		●	●	●	●	

Filter Elements



(1) Disc Element	(2) Weavewire Screen	(3) Perforated Screen
A stack of thin grooved plastic discs, piled together around a telescopic core. Color coded according to the different filtration degrees. High retention capacity of particles.	Molded plastic construction with inserted mesh sleeve made from polyester or stainless steel. Color coded according to the different filtration degrees.	For coarse filtration - perforated stainless steel screens for 2" and 3" filters.